

WOLF PRO-SERIES WALL HOOD HORIZONTAL DISCHARGE INSTALLATION INSTRUCTIONS

Horizontal Discharge Kit Contains:

QTY	DESCRIPTION
1	Back Panel with PEM studs
2	Mounting Brackets
1	Installation Hardware (810555)
1	Instruction Sheet

Horizontal Discharge Accessory Kits are designed for use with Wolf Pro-Series Wall Hood Model Numbers:

24" DEEP HOODS	27" DEEP HOODS
PW302418(R)	PW302718(R)
PW362418(R)	PW362718(R)
PW422418(R)	PW422718(R)
PW482418(R)	PW482718(R)
PW542418(R)	PW542718(R)
PW602418(R)	PW602718(R)
PW662418(R)	PW662718(R)

Horizontal Discharge Kit Model Numbers

- PHORIZDIS30W (811088) – For use with PW302418 & PW302718
- PHORIZDIS36W (811089) – For use with PW362418 & PW362718
- PHORIZDIS42W (811090) – For use with PW422418 & PW422718
- PHORIZDIS48W (811091) – For use with PW482418 & PW482718
- PHORIZDIS54W (811092) – For use with PW542418 & PW542718
- PHORIZDIS60W (811093) – For use with PW602418 & PW602718
- PHORIZDIS66W (811094) – For use with PW662418 & PW662718

PROCEDURE

⚠ CAUTION

Hood must be anchored to wall framing to provide proper support

1. First, ensure that there is adequate wall framing available for the hood to mount securely to (See Figure 1).
2. Cut opening into wall. This opening must be large enough for the supplied transition or custom duct work to fit through when attached to the wall hood (See Figure 2).
3. Install the mounting brackets onto the wall and ensure that they are attached to wall framing studs. These brackets will aid in mounting the hood onto the wall by temporarily holding the hood in place for you (See Figure 3).
4. Remove the factory installed back panel from the hood by removing the screws on the top and back sides of the wall hood (save the screws as they will be used again). Then remove the electrical junction box from the factory supplied back panel and save the nuts holding the junction box on because they will be needed in order to transfer the junction box over to the new horizontal discharge kit back panel (See Figure 4).
5. Assemble the junction box removed in step 4 onto the horizontal discharge back panel. If an internal blower will be used with the hood, mount the blower assembly to the horizontal discharge back panel using the provided #10-24 KEPS nuts and the blower installation instructions (See figure 5).
6. Next, assemble the new horizontal discharge back panel (and internal blower assembly if applicable) onto the hood using the screws removed in step 3.
7. Attach the transition or custom duct work to the outlet of the ventilation hood.
8. Mount the hood onto the wall by utilizing the rectangle cut outs in the back panel and hanging the hood on the mounting brackets.
9. Use the rows of holes provided (shown in figure 3) to drive mounting screws into the wall framing to properly support the hood.
10. Connect electrical wiring per the ventilation hood installation instructions.

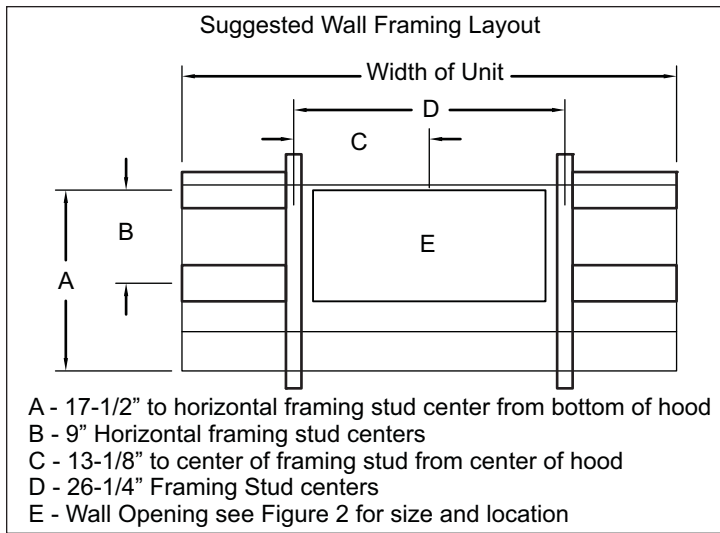


Figure 1

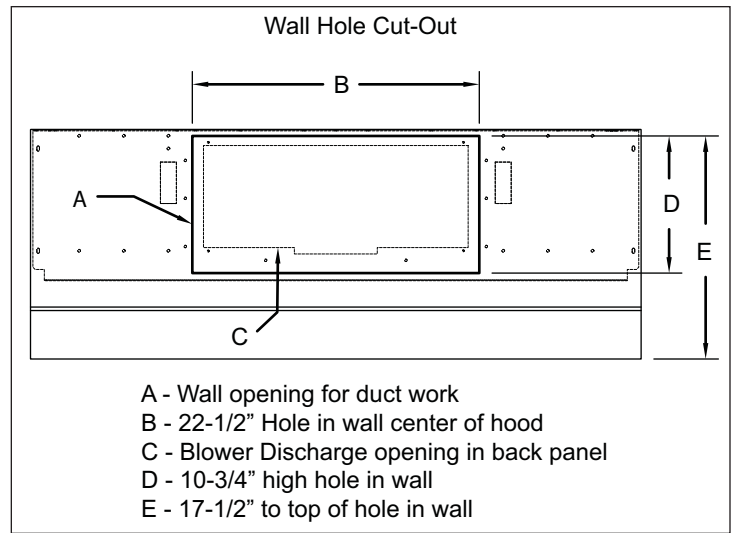


Figure 2

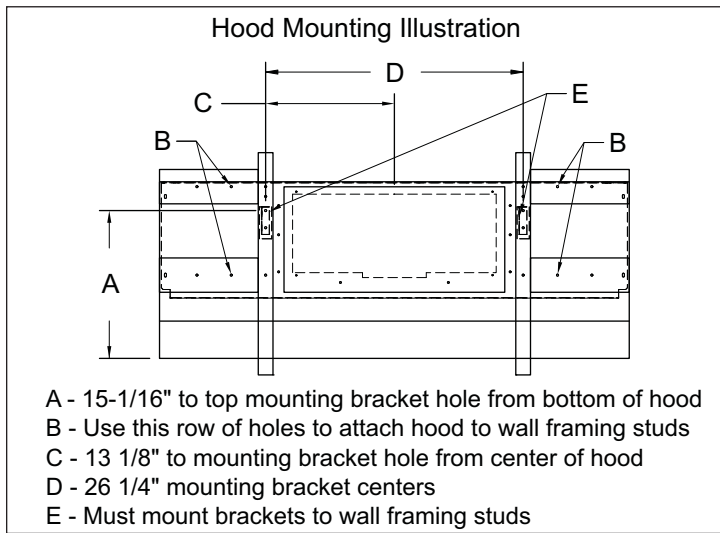


Figure 3

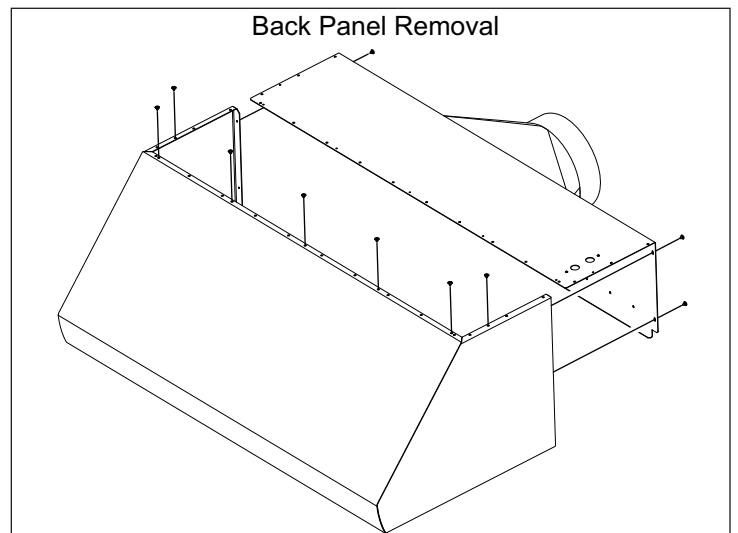


Figure 4

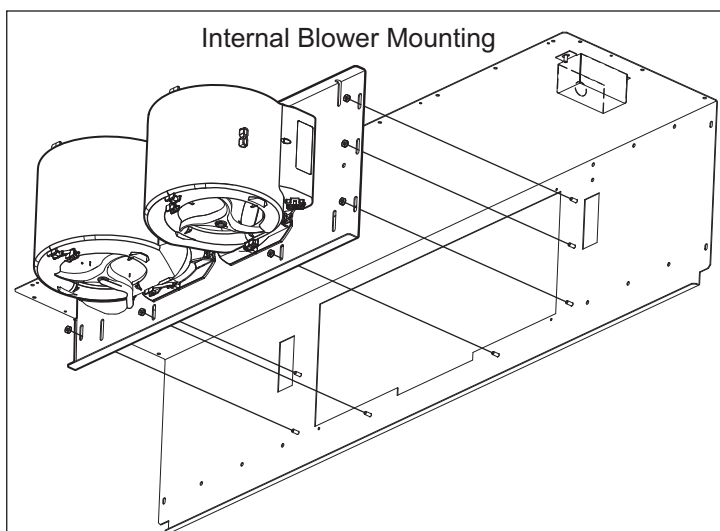


Figure 5

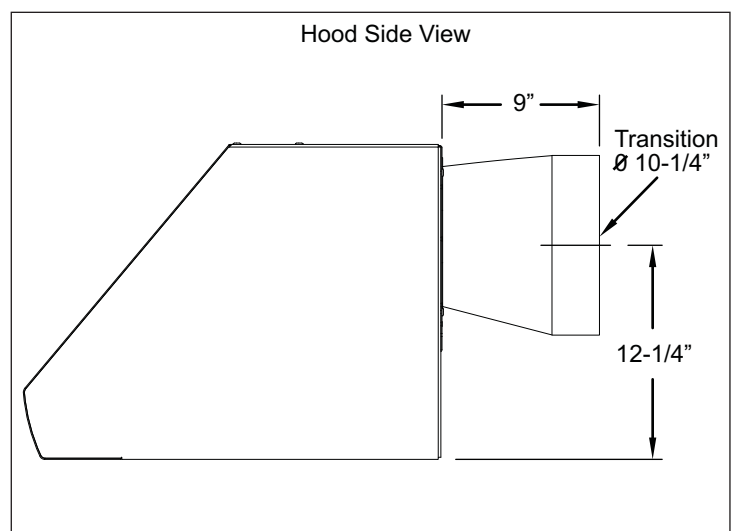


Figure 6