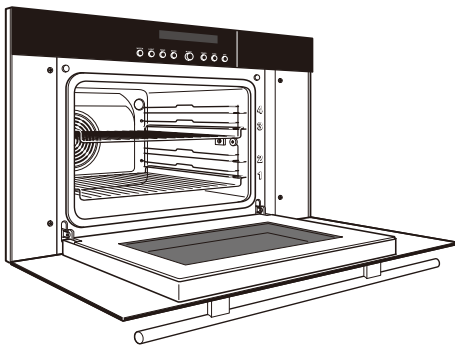


FEATURES

- Black glass with tubular handle to match Wolf M series ovens and contemporary products.
- Standard or flush inset installation.
- Crafted of heavy-duty stainless steel.
- Combines convection and steam heat to achieve superior results.
- Convection with twelve cooking modes—steam, reheat, auto steam bake, convection, convection humid, convection steam, Gourmet, slow roast, recipes, my recipes, keep warm and cleanse.
- Gourmet and recipes modes for quick, convenient meal preparation.
- Operating time, delayed start and descaling features.
- Four-level rack guides with two adjustable oven racks.
- Large viewing window and halogen interior lighting.
- Temperature probe, perforated and solid stainless steel pans.



Model ICBCSO30CM/B/TH

MODEL	
Contemporary	ICBCSO30CM/B/TH



Interior (ICBCSO24TE/S/TH shown).

ACCESSORIES

- Black tubular handle.
- Perforated stainless steel pans:
W324mm x H38mm x D178mm
W324mm x H64mm x D178mm
W451mm x H32mm x D381mm
- Solid stainless steel pans:
W324mm x H38mm x D178mm
W324mm x H32mm x D356mm
W451mm x H32mm x D381mm
- Porcelain baking sheet.
- Full-extension and standard oven racks.
- Descaling solution.

Accessories available through an authorized Wolf dealer. For local dealer information, visit the find a showroom section of our website, wolfappliance.com.

SPECIFICATIONS

PRODUCT

Dimensions W759mm x H454mm x D546mm
Weight 36kg

OVEN INTERIOR

Capacity 51L
Interior W454mm x H279mm x D400mm

ELECTRICAL

Supply 220-240 VAC, 50/60 Hz
Load 18 amp
Connection 20 amp
Power Cord 1.8 m

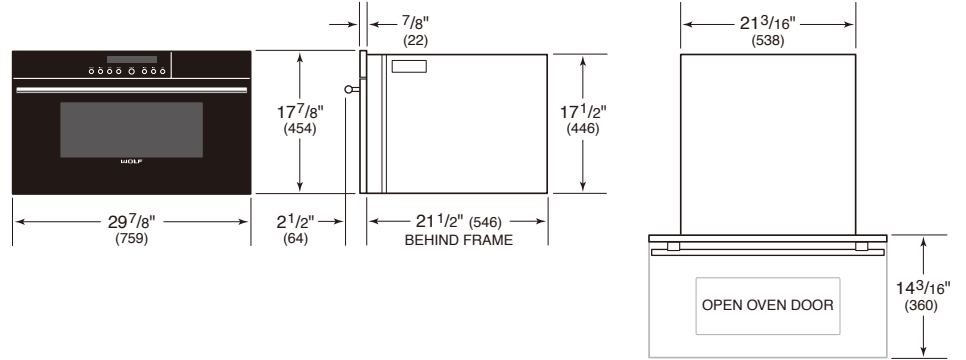
POWER RATING

Maximum 3800 W

Specifications are subject to change without notice. Visit wolfappliance.com/specs for the most up-to-date information.

Dimensions may vary $\pm 1/8"$ or 3mm. Dimensions in parentheses are millimeters unless otherwise specified.

DIMENSIONS

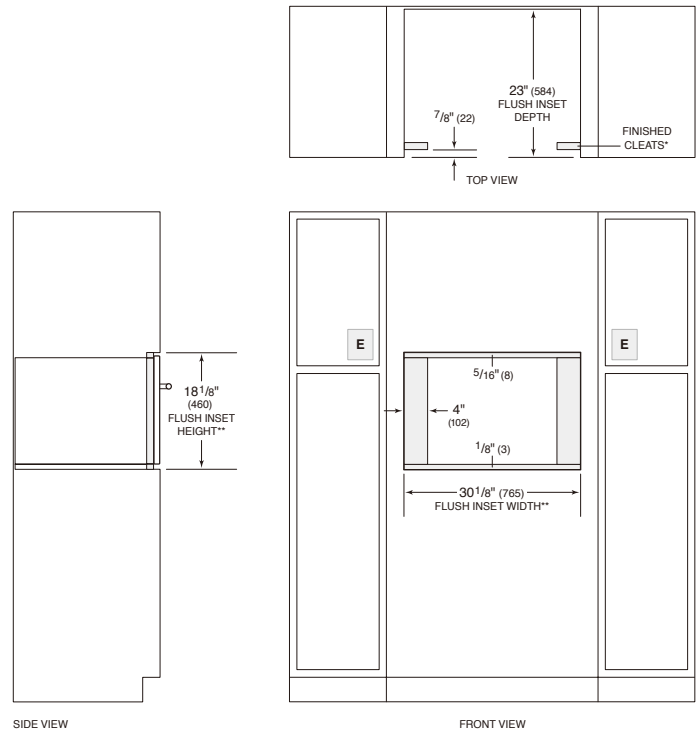


STANDARD INSTALLATION



NOTE: 24" (610) and 30" (762) models require the same opening dimensions.
Electrical supply must be located in adjacent cabinet within 3' (9 m) of opening.

FLUSH INSET INSTALLATION



*Will be visible and should be finished to match cabinetry.
**Dimension provides minimum reveals.
NOTE: Electrical supply must be located in adjacent cabinet within 3' (9 m) of opening.