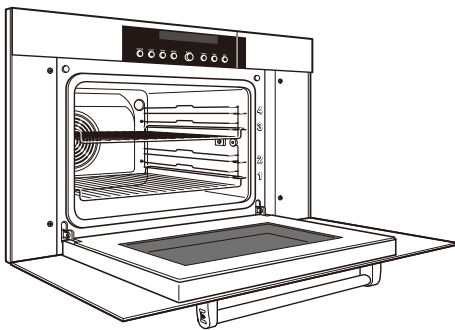


FEATURES

- Pro handle to match Wolf M series ovens and professional products.
- Standard or flush inset installation.
- Crafted of heavy-duty stainless steel.
- Combines convection and steam heat to achieve superior results.
- Convection with twelve cooking modes—steam, reheat, auto steam bake, convection, convection humid, convection steam, Gourmet, slow roast, recipes, my recipes, keep warm and cleanse.
- Gourmet and recipes modes for quick, convenient meal preparation.
- Operating time, delayed start and descaling features.
- Four-level rack guides with two adjustable oven racks.
- Large viewing window and halogen interior lighting.
- Temperature probe, perforated and solid stainless steel pans.



Model ICBCSO30PM/S/PH

MODEL	
Professional	ICBCSO30PM/S/PH



Interior (ICBCSO24TE/S/TH shown).

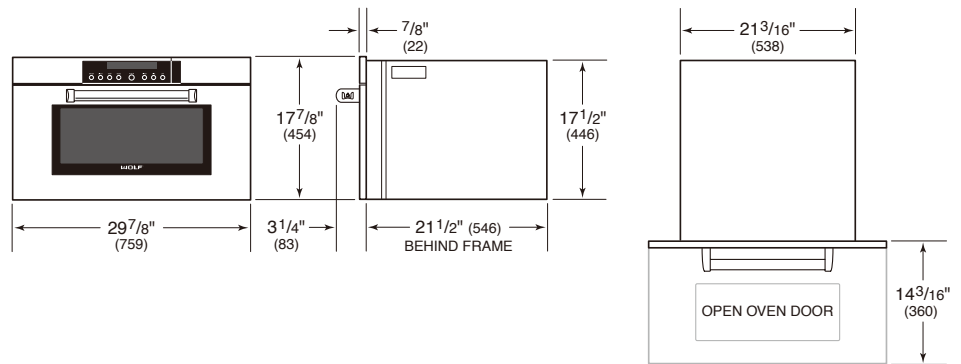
ACCESSORIES

- Perforated stainless steel pans:
324mm x 38mm x 178mm
324mm x 64mm x 178mm
451mm x 32mm x 381mm
- Solid stainless steel pans:
324mm x 38mm x 178mm
324mm x 32mm x 356mm
451mm x 32mm x 381mm
- Porcelain baking sheet.
- Full-extension and standard oven racks.
- Descaling solution.

Accessories available through an authorized Wolf dealer. For local dealer information, visit the find a showroom section of our website, wolfappliance.com.

SPECIFICATIONS	
PRODUCT	
Dimensions	W759mm x H454mm x D546mm
Weight	36kg
OVEN INTERIOR	
Capacity	51L
Interior	W454mm x H279mm x D400mm
ELECTRICAL	
Supply	220-240 VAC, 50/60 Hz
Load	18 amp
Connection	20 amp
Power Cord	1.8 m
POWER RATING	
Maximum	3800 W

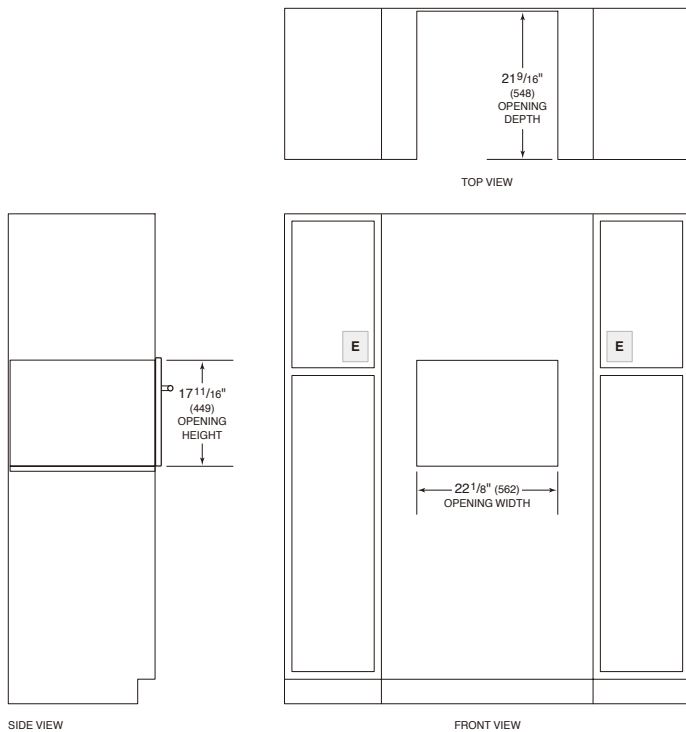
DIMENSIONS



Specifications are subject to change without notice. Visit wolfappliance.com/specs for the most up-to-date information.

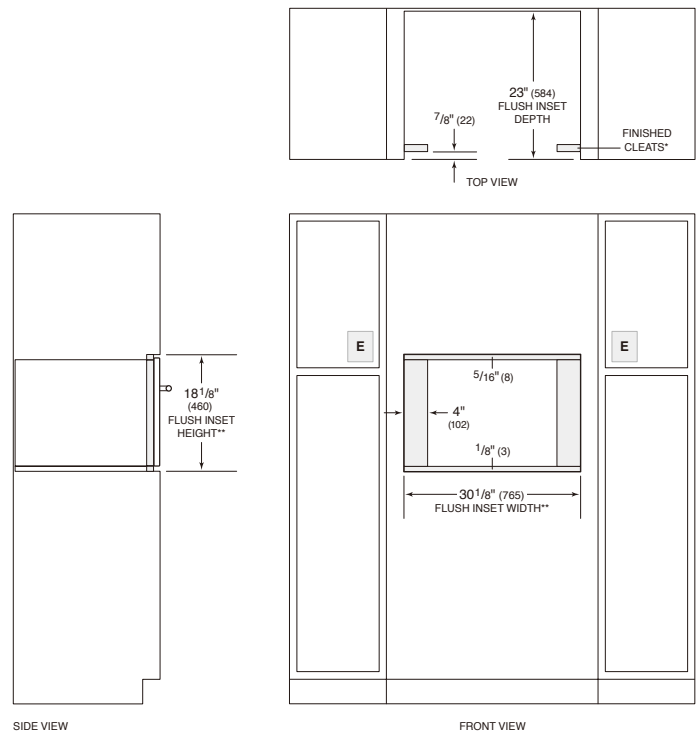
Dimensions may vary $\pm 1/8"$ or 3mm. Dimensions in parentheses are millimeters unless otherwise specified.

STANDARD INSTALLATION



NOTE: 24" (610) and 30" (762) models require the same opening dimensions.
Electrical supply must be located in adjacent cabinet within 3' (9 m) of opening.

FLUSH INSET INSTALLATION



*Will be visible and should be finished to match cabinetry.
**Dimension provides minimum reveals.
NOTE: Electrical supply must be located in adjacent cabinet within 3' (9 m) of opening.