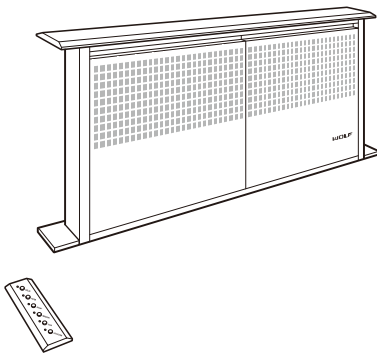


FEATURES

- Three-speed blower control with boost.
- Remote-mounted control module with LED indicators.
- Delay-off feature to automatically turn unit off.
- Stainless steel, mesh filters.
- Reversible motor box.
- Adjustable discharge.



Model ICBDD36

BLOWER OPTIONS*

MODEL ICBDD36	CMH
Internal	900
Remote	1521

**Blowers sold separately.*

IMPORTANT NOTE: Wolf downdrafts can be used with all Wolf induction, electric and gas cooktops, except unframed models. Wolf downdrafts cannot be used with the steamer or fryer module and are not recommended for use with the electric grill module.

ACCESSORIES

- Make-up air damper.
- 20cm In-line damper.
- 25cm In-line damper.

Accessories available through an authorized Wolf dealer. For local dealer information, visit the find a showroom section of our website, wolfappliance.com.

SPECIFICATIONS

PRODUCT

Dimensions W914mm x H256mm x D51mm
Weight 36 kg

DISCHARGE

Internal 152mm Round
In-line or Remote 254mm Round

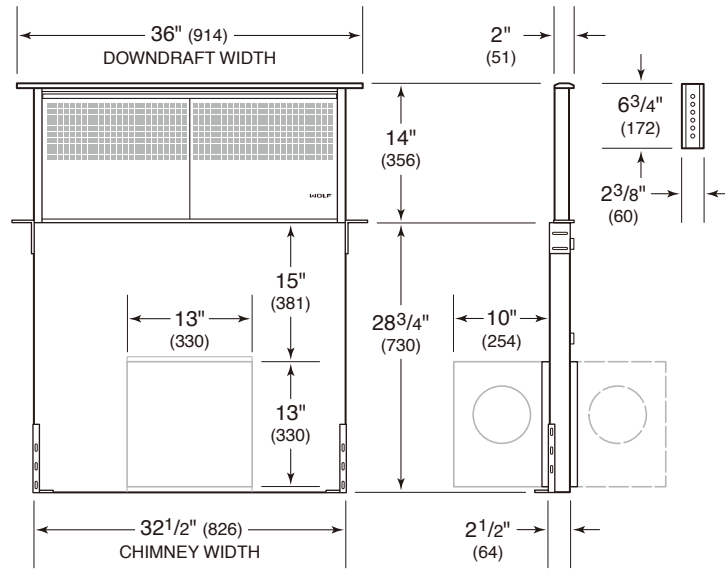
ELECTRICAL

Supply 220-240 VAC, 50/60 Hz
Load 2 amp
Connection 13 amp
Power Cord 1.8 m

Specifications are subject to change without notice. Visit wolfappliance.com/specs for the most up-to-date information.

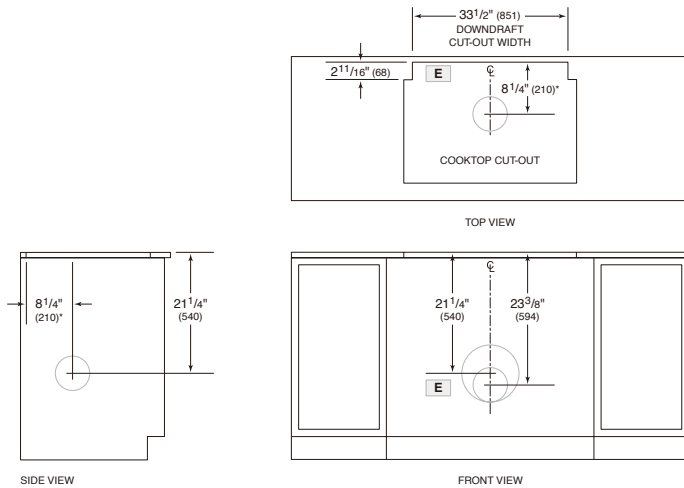
Dimensions may vary $\pm 1/8"$ or 3mm. Dimensions in parentheses are millimeters unless otherwise specified.

DIMENSIONS



NOTE: Shown with front mounted internal blower with 6" (152) round discharge, dashed line represents rear mount.

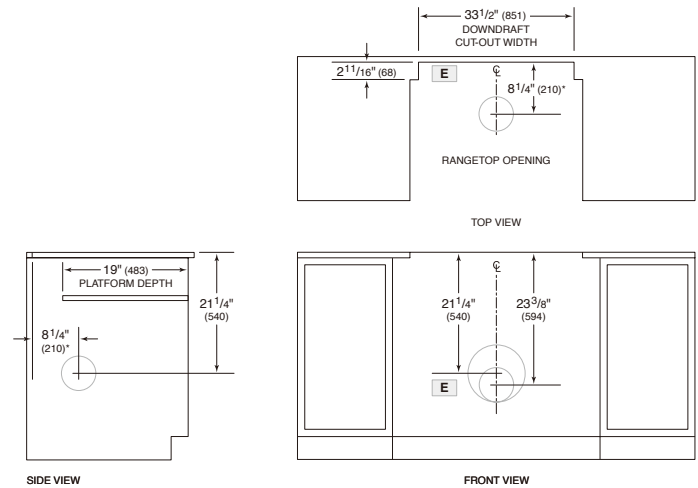
INSTALLATION WITH COOKTOP



*6" (152) back from the countertop cutout when an internal blower is rear mounted.

NOTE: Internal blower 6" (152) round, side, rear or bottom discharge. In-line and remote blower 10" (254) round, rear discharge. Centerline indicates center of downdraft cut-out.

INSTALLATION WITH SEALED BURNER RANGETOP



*6" (152) back from the countertop cutout when an internal blower is rear mounted.

NOTE: Internal blower 6" (152) round, side, rear or bottom discharge. In-line and remote blower 10" (254) round, rear discharge. Centerline indicates center of downdraft cut-out.