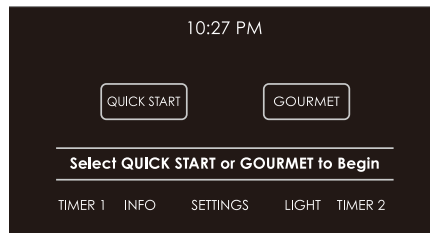


FEATURES

- Advanced Dual VertiCross convection system for faster preheats and consistent cooking across all racks.
- Ten cooking modes for predictably delicious results (convection, roast, bake, broil, convection roast, bake stone, Gourmet, warm, proof and dehydration).
- Gourmet feature has menu of presets that automatically controls cooking of popular meals.
- Interactive color touchscreen for advanced cooking control.
- Heavy-duty stainless steel construction for decades of dependable service.
- Cobalt blue porcelain oven interiors.
- Large viewing, triple-pane windows and three halogen interior lights.
- Three adjustable oven racks per oven; two full extension and one standard.
- Hidden bake element and recessed broil element.
- Temperature probe and broiler pan.
- Self-clean, delayed start, timed cook and Sabbath features.
- Quiet-close doors with spring and damper hinge system.
- Standard or flush installation.
- Tubular handles match Wolf transitional products.



MODEL	
Transitional	ICBDO30TM/S/TH

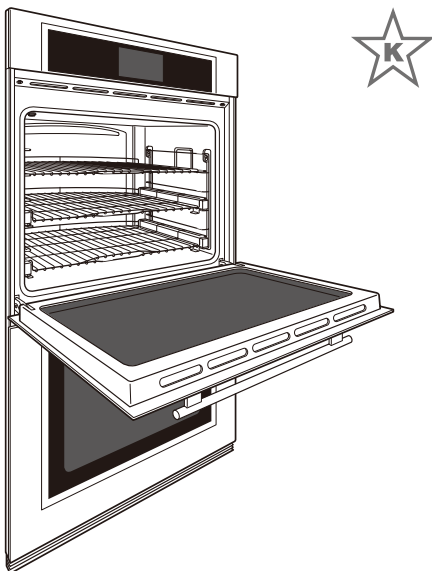


Interactive control panel.

ACCESSORIES

- Bake stone kit (stone, rack and peel).
- Dehydration kit (racks and door stop).
- Single or set of three standard oven racks.
- Full-extension easy glide oven rack.
- 76cm baking sheet.
- Multifunction pan.
- Temperature probe and broiler pan.

Accessories available through an authorized Wolf dealer. For local dealer information, visit the find a showroom section of our website, wolfappliance.com.



Model ICBDO30TM/S/TH

SPECIFICATIONS

PRODUCT

Dimensions W759mm x H1292mm x D584mm
 Door Clearance 543mm
 Weight 211kg

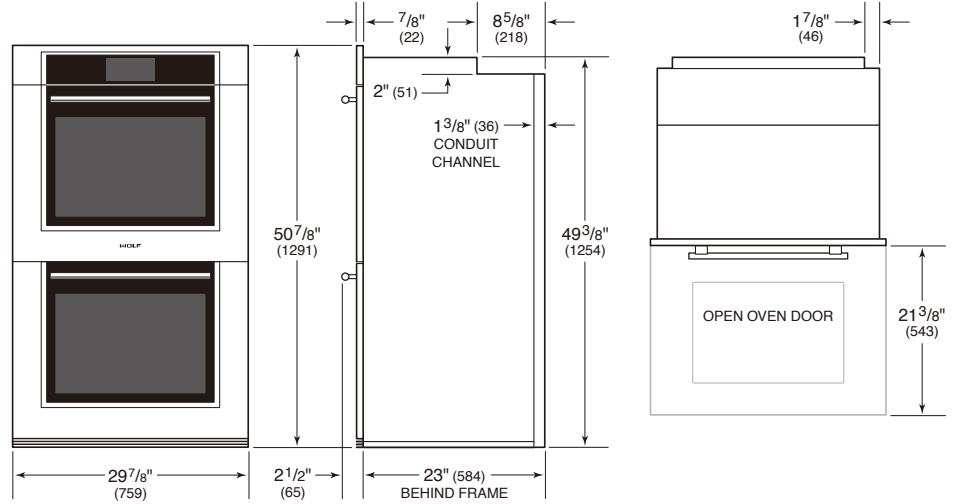
OVEN INTERIORS

Interior W641mm x H445mm x D505mm
 AHAM Overall Capacity 144L
 AHAM Usable Capacity 91L

ELECTRICAL

Supply 220-240 VAC, 50/60 Hz
 Load-1Phase 44 amp
 Load-3Phase 15 amp
 Connection-1Phase 60 amp
 Connection-3Phase 20 amp
 Conduit 1.5 m

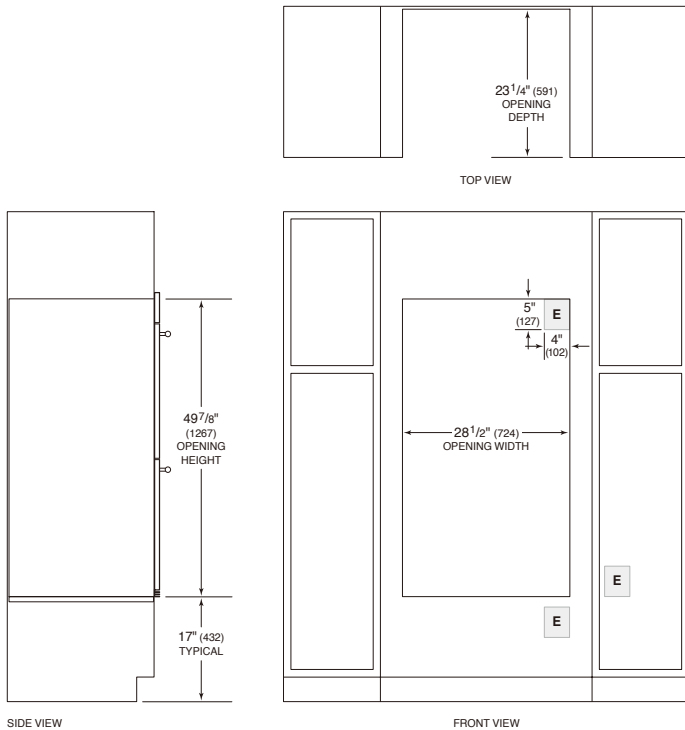
DIMENSIONS



Specifications are subject to change without notice. Visit wolfappliance.com/specs for the most up-to-date information.

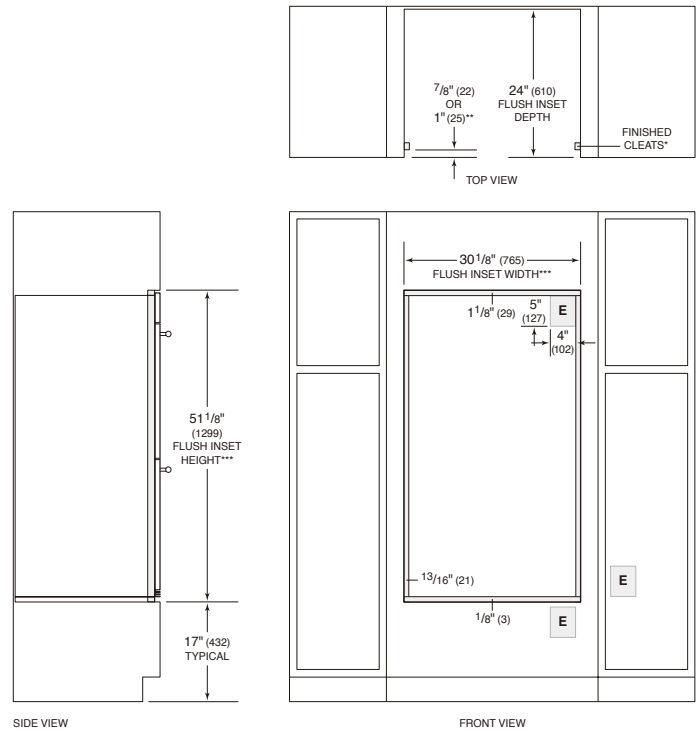
Dimensions may vary $\pm 1/8"$ or 3mm. Dimensions in parentheses are millimeters unless otherwise specified.

STANDARD INSTALLATION



NOTE: Location of electrical supply within opening may require additional cabinet depth.

FLUSH INSET INSTALLATION



*1" (25) minimum depth. Shaded areas will be visible and should be finished to match cabinetry.
 **7/8" (22) for professional and transitional models and 1" (25) for contemporary model.
 ***Dimension provides minimum reveals.
 NOTE: Location of electrical supply within opening may require additional cabinet depth.