

FEATURES

- Refrigerator and freezer storage drawers with independent temperature controls.
- Custom front panels and hardware allow for infinite design options.
- Point-of-use refrigeration that can be placed anywhere in the home.
- Redesigned sleek, minimalist interior is lit by LEDs to reduce heat.
- Interactive control panel with touch screen and precise temperature control.
- Automatic ice maker with max ice feature to increase ice production up to 30 percent.
- Full-extension storage drawers.
- Smart Grid ready.
- Star-K certified.



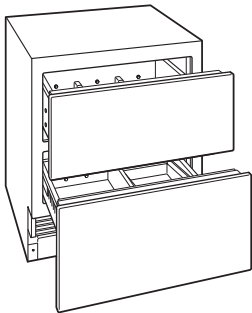
MODEL OPTIONS	
COMBINATION	
Model	ICBID-30CI

INTERIOR FEATURES	
REFRIGERATOR	
Adjustable dividers	
FREEZER	
Removable divider	
Removable ice container	

ACCESSORIES

- Stainless steel front panels with tubular or pro handles and 102 mm or 152 mm toe kick.
- Stainless steel tubular and pro handles.
- Dual installation kit.
- Dozen egg container.

Accessories available through an authorized Sub-Zero dealer.



SPECIFICATIONS	
PRODUCT	
Dimensions	762 W x 876 H x 610 D
Weight	95 kg
CAPACITY	
Refrigerator	58 L
Freezer	39 L
ELECTRICAL	
Supply	220-240 V AC, 50/60 Hz
Service	10 amp circuit
PLUMBING	
Supply	1/4" OD copper, braided stainless steel or PEX tubing
Pressure	2.4–8.3 bar

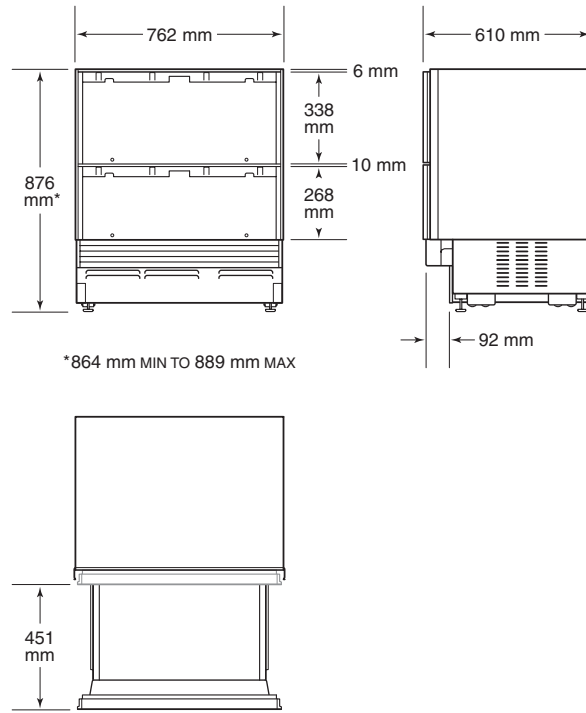
Overall dimensions do not include panels or handles. Dimensions will vary with panel thickness.

The depth of each integrated model is 610 mm. Allow for panel thickness when planning the finished opening depth.

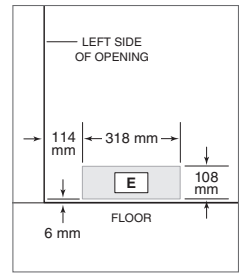
Specifications are subject to change without notice.

Dimensions may vary ± 3 mm.

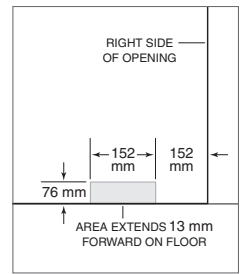
DIMENSIONS



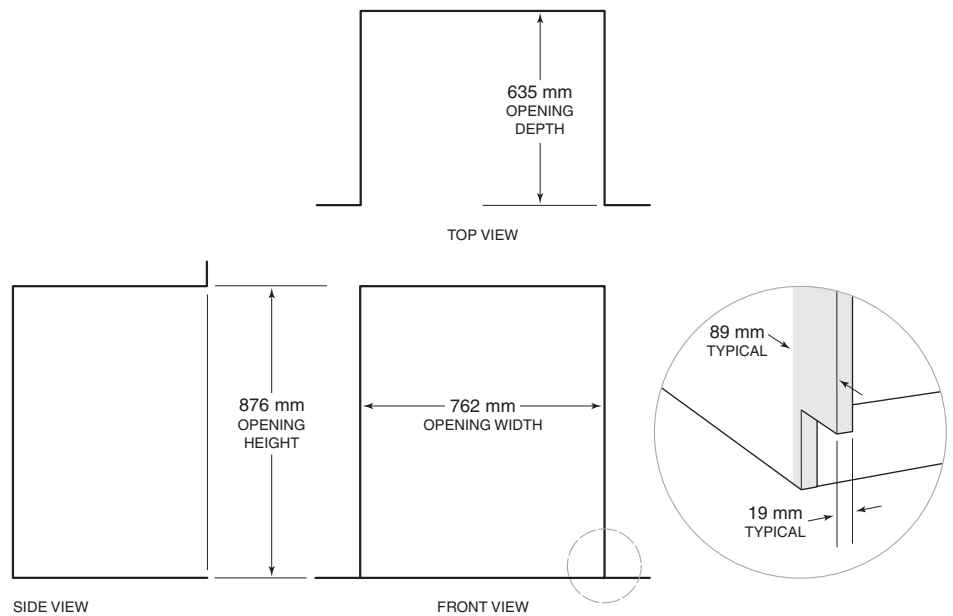
ELECTRICAL



PLUMBING



INSTALLATION



NOTE: Shaded areas will be visible and should be finished to match cabinetry.