

FEATURES

- Two refrigerator storage drawers.
- Custom front panels and hardware allow for infinite design options.
- Point-of-use refrigeration that can be placed anywhere in the home.
- Redesigned sleek, minimalist interior is lit by LEDs to reduce heat.
- Interactive control panel with touch screen and precise temperature control.
- Air purification system reduces odors, bacteria, viruses and ethylene gas.
- Crisper drawer provides a lower-temperature, higher-humidity freshness preservation zone.
- Full-extension storage drawers.
- Sliding crisper cover.
- Smart Grid ready.
- Star-K certified.



MODEL OPTIONS

REFRIGERATOR

Model	ICBID-30RP
-------	------------

INTERIOR FEATURES

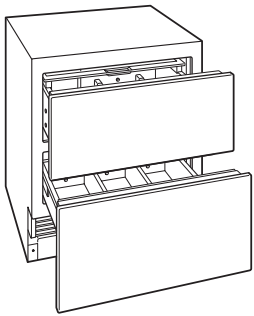
REFRIGERATOR

Adjustable dividers

ACCESSORIES

- Stainless steel front panels with tubular or pro handles and 102 mm or 152 mm toe kick.
- Stainless steel tubular and pro handles.
- Dual installation kit.
- Crisper lid.
- Dozen egg container.

Accessories available through an authorized Sub-Zero dealer.



SPECIFICATIONS	
PRODUCT	
Dimensions	762 W x 876 H x 610 D
Weight	95 kg
CAPACITY	
Refrigerator	138 L
ELECTRICAL	
Supply	220-240 V AC, 50/60 Hz
Service	10 amp circuit

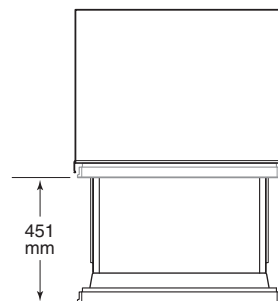
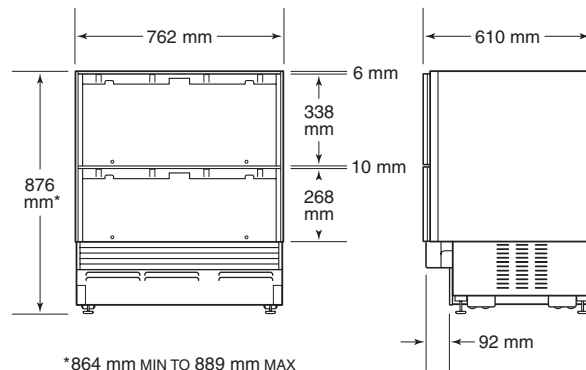
Overall dimensions do not include panels or handles. Dimensions will vary with panel thickness.

The depth of each integrated model is 610 mm. Allow for panel thickness when planning the finished opening depth.

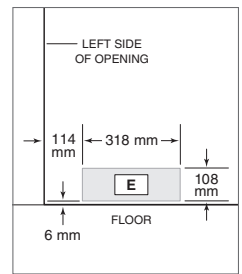
Specifications are subject to change without notice.

Dimensions may vary ± 3 mm.

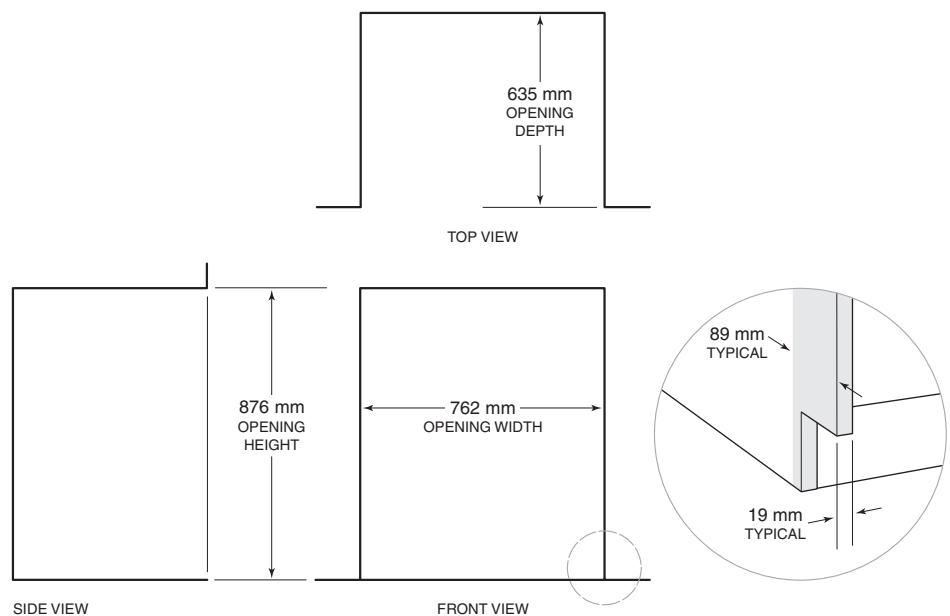
DIMENSIONS



ELECTRICAL



INSTALLATION



NOTE: Shaded areas will be visible and should be finished to match cabinetry.