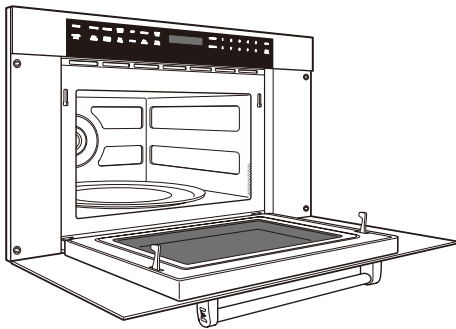


FEATURES

- Standard or flush inset installation.
- Door hinges at the bottom for easy access.
- Touch control panel with interactive visual display.
- Sensor cooking monitors and adjusts cook time and power level.
- Nine cooking modes including popcorn, auto defrost, beverage, manual defrost, sensor reheat, keep warm, melt, soften and Gourmet.
- Auto start and multiple sequence cooking features.
- Large viewing window and interior lighting.
- Control panel lock.



Model ICBMDD30PM/S/PH

MODEL	
Professional	ICBMDD30PM/S/PH

SPECIFICATIONS

PRODUCT

Dimensions W759mm x H454mm x D508mm
Weight 36 kg

OVEN INTERIOR

Capacity 45 L
Interior W451mm x H232mm x D432mm

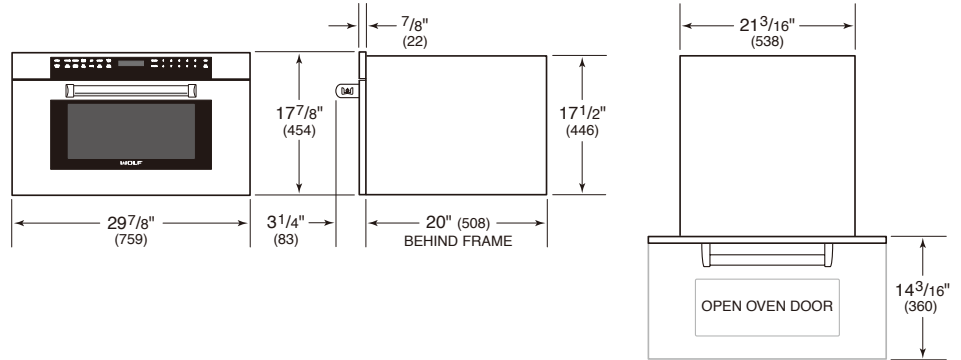
ELECTRICAL

Supply 220-240 VAC, 50/60 Hz
Load 8 amp
Connection 13 amp
Power Cord 1.2 m

POWER RATING

Maximum 1600 W

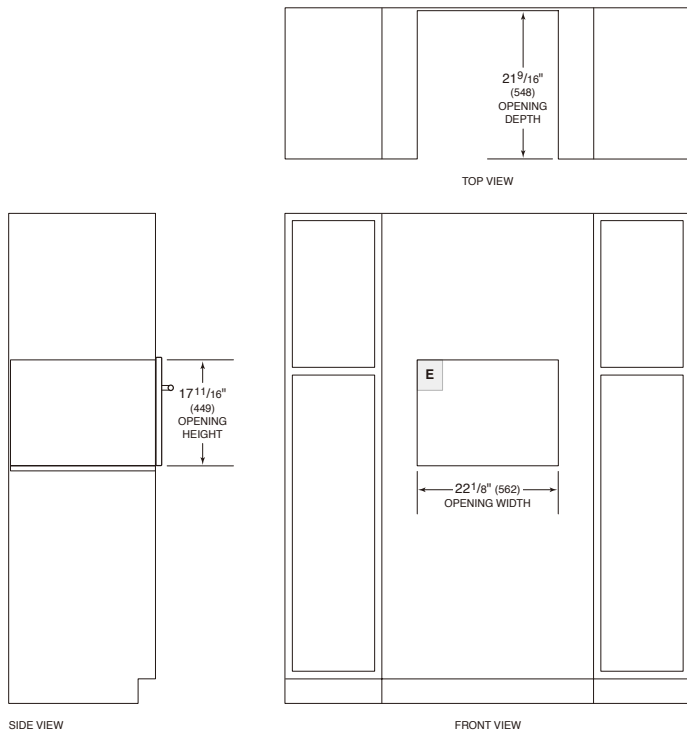
DIMENSIONS



Specifications are subject to change without notice. Visit wolfappliance.com/specs for the most up-to-date information.

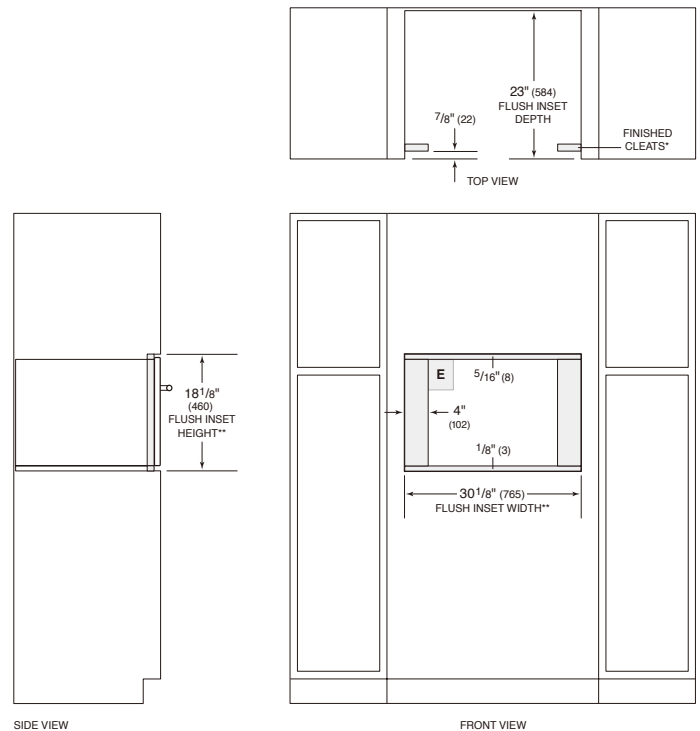
Dimensions may vary $\pm 1/8$ " or 3mm. Dimensions in parentheses are millimeters unless otherwise specified.

STANDARD INSTALLATION



NOTE: 24" (610) and 30" (762) models require the same opening dimensions.

FLUSH INSET INSTALLATION



*Will be visible and should be finished to match cabinetry.
**Dimension provides minimum reveals.