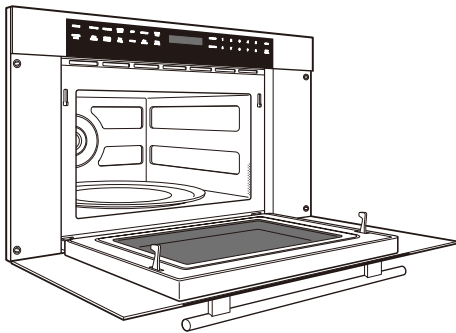


## FEATURES

- Standard or flush inset installation.
- Door hinges at the bottom for easy access.
- Touch control panel with interactive visual display.
- Sensor cooking monitors and adjusts cook time and power level.
- Nine cooking modes including popcorn, auto defrost, beverage, manual defrost, sensor reheat, keep warm, melt, soften and Gourmet.
- Auto start and multiple sequence cooking features.
- Large viewing window and interior lighting.
- Control panel lock.



Model ICBMDD30TM/S/TH

MODEL	
Transitional	ICBMDD30TM/S/TH

## SPECIFICATIONS

### PRODUCT

Dimensions W759mm x H454mm x D508mm  
Weight 36 kg

### OVEN INTERIOR

Capacity 45 L  
Interior W451mm x H232mm x D432mm

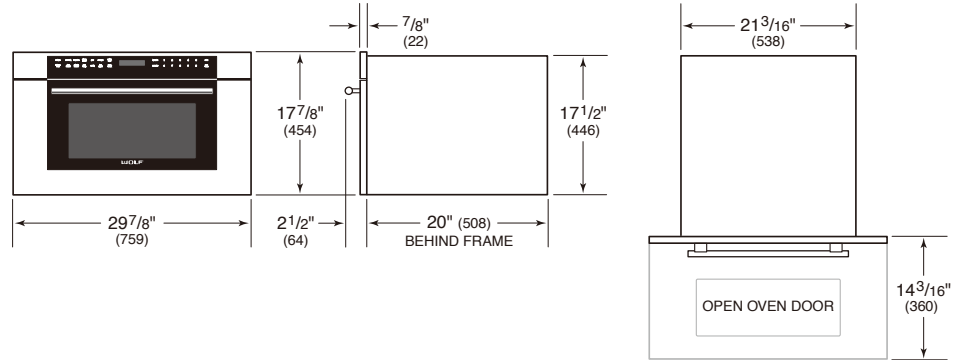
### ELECTRICAL

Supply 220-240 VAC, 50/60 Hz  
Load 8 amp  
Connection 13 amp  
Power Cord 1.2 m

### POWER RATING

Maximum 1600 W

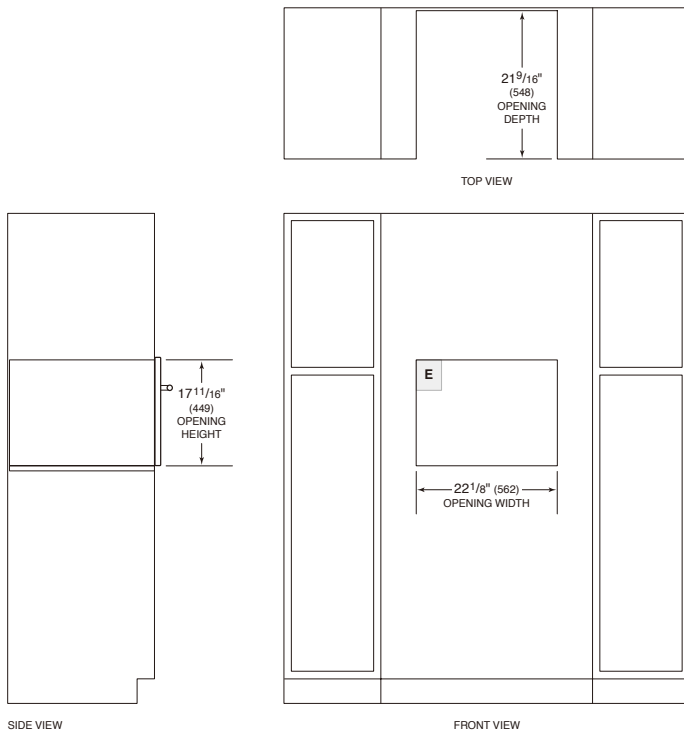
## DIMENSIONS



Specifications are subject to change without notice. Visit [wolfappliance.com/specs](http://wolfappliance.com/specs) for the most up-to-date information.

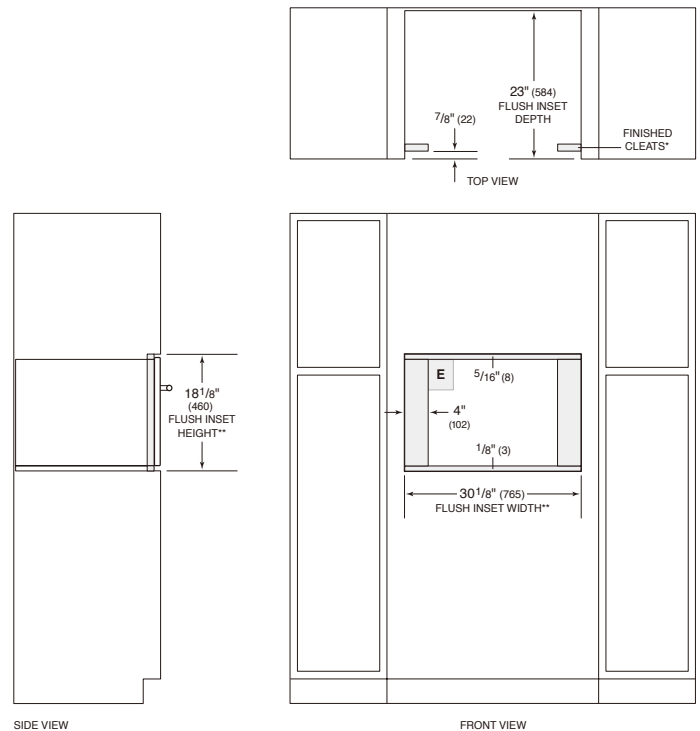
Dimensions may vary  $\pm 1/8$ " or 3mm. Dimensions in parentheses are millimeters unless otherwise specified.

## STANDARD INSTALLATION



NOTE: 24" (610) and 30" (762) models require the same opening dimensions.

## FLUSH INSET INSTALLATION



\*Will be visible and should be finished to match cabinetry.  
\*\*Dimension provides minimum reveals.