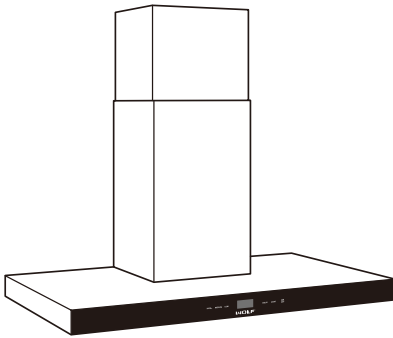


FEATURES

- Heavy-duty, stainless steel seamless construction with black glass front.
- Internal or remote blower required (sold separately).
- Telescopic chimney.
- Black glass touch control panel with display.
- Three-speed blower with boost to temporarily increase airflow.
- LED lighting with high and low settings.
- Delay-off feature to automatically turn unit off.
- Filter clean indicator.
- Dishwasher-safe filters.
- Transition with backdraft damper.



Model ICBVW36B

BLOWER OPTIONS

MODEL ICBVW36B	CMH
Internal	900
Remote	1528

**For make-up air restricted applications.*

Cooktop hoods are recommended for use with Wolf induction, electric and gas cooktops and integrated modules. For Wolf ranges and rangetops, a pro ventilation hood is recommended.

ACCESSORIES

- Internal and remote blowers (refer to chart).
- Remote control.
- Chimney extension.
- 76cm high stainless steel wall shield.
- Recirculating kit and filter for non-ducted applications.
- Make-up air damper.

Accessories available through an authorized Wolf dealer. For local dealer information, visit the find a showroom section of our website, wolfappliance.com.

SPECIFICATIONS

PRODUCT

Dimensions W914mm x H57mm x D489mm
 Overall Height 797mm – 1054mm
 Weight 26 kg

DISCHARGE

Vertical 152mm Round

ELECTRICAL

Supply 220-240 VAC, 50/60 Hz
 Load 2 amp
 Connection 13 amp

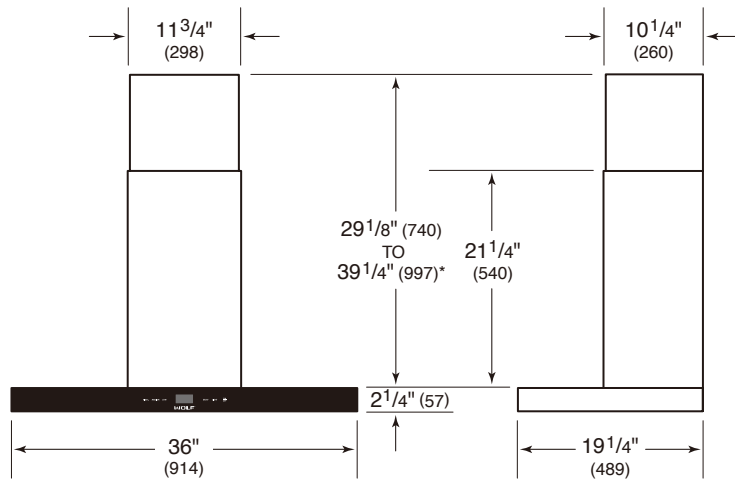
INSTALLATION

Bottom of Hood to Countertop 762mm – 914mm

Specifications are subject to change without notice. Visit wolfappliance.com/specs for the most up-to-date information.

Dimensions may vary $\pm 1/8"$ or 3mm. Dimensions in parentheses are millimeters unless otherwise specified.

DIMENSIONS



*49 1/8" (1248) to 59 1/4" (1505) with accessory flue extension.

ELECTRICAL LOCATION

