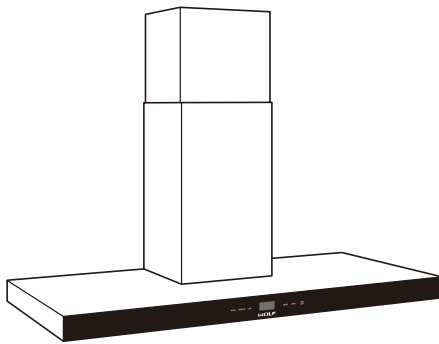


## FEATURES

- Heavy-duty, stainless steel seamless construction with black glass front.
- Internal or remote blower required (sold separately).
- Telescopic chimney.
- Black glass touch control panel with display.
- Three-speed blower with boost to temporarily increase airflow.
- LED lighting with high and low settings.
- Delay-off feature to automatically turn unit off.
- Filter clean indicator.
- Dishwasher-safe filters.
- Transition with backdraft damper.



Model ICBVW45B

## BLOWER OPTIONS

MODEL ICBVW45B	CMH
Internal	900
Remote	1528

*\*For make-up air restricted applications.*

Cooktop hoods are recommended for use with Wolf induction, electric and gas cooktops and integrated modules. For Wolf ranges and rangetops, a pro ventilation hood is recommended.

## ACCESSORIES

- Internal and remote blowers (refer to chart).
- Remote control.
- Chimney extension.
- Recirculating kit and filter for non-ducted applications.
- Make-up air damper.

Accessories available through an authorized Wolf dealer. For local dealer information, visit the find a showroom section of our website, [wolfappliance.com](http://wolfappliance.com).

**SPECIFICATIONS**

**PRODUCT**

Dimensions W1143mm x H57mm x D489mm  
 Overall Height 797mm – 1054mm  
 Weight 28 kg

**DISCHARGE**

Vertical 152mm Round

**ELECTRICAL**

Supply 220-240 VAC, 50/60 Hz  
 Load 2 amp  
 Connection 13 amp

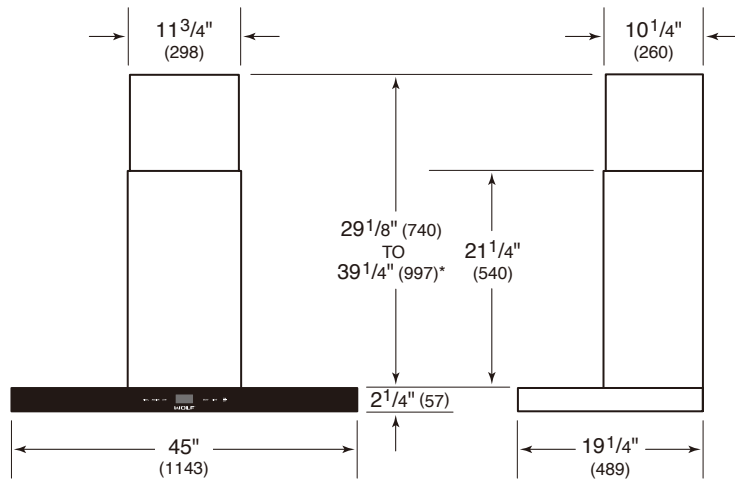
**INSTALLATION**

Bottom of Hood to Countertop 762mm – 914mm

Specifications are subject to change without notice. Visit [wolfappliance.com/specs](http://wolfappliance.com/specs) for the most up-to-date information.

Dimensions may vary  $\pm 1/8"$  or 3mm. Dimensions in parentheses are millimeters unless otherwise specified.

**DIMENSIONS**



\*49 1/8" (1248) to 59 1/4" (1505) with accessory flue extension.

**ELECTRICAL LOCATION**

