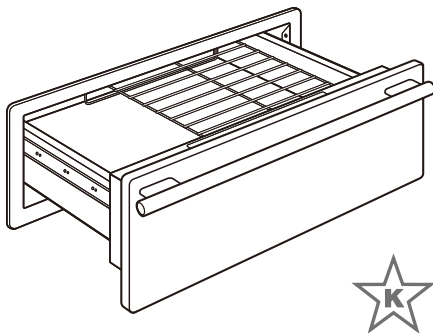


FEATURES

- Stainless steel and black glass drawer fronts match Wolf ovens and ranges, or add a custom wood panel.
- Standard or flush inset installation.
- UL approved for warming towels.
- Crafted of heavy-duty stainless steel.
- Hidden electronic touch controls for sleek appearance.
- Temperature control range of 27°C to 93°C.
- Four preset temperatures—high 93°C, medium 71°C, low 49°C and proof 29°C.
- Programmable automatic shut-off up to four hours.
- Fan assist for even heat distribution.
- Fast preheat times.
- Rack for stacking food.
- Three ball-bearing drawer glides for smooth, full extension.
- Removable stainless steel drawer for easy cleaning.



Model ICBWWD30 shown with stainless drawer front.

MODEL

Warming Drawer* ICBWWD30

*Base unit only, accessory drawer front required.

ACCESSORIES

- Stainless steel and black glass drawer fronts to match Wolf transitional, professional and contemporary ovens.
- Stainless steel 5cm thick drawer front for installation with Wolf sealed burner rangetop.
- Integrated drawer front for custom wood applications (panel can exceed 76cm width).
- Stainless steel tubular, pro and black glass tubular handles.
- Six-piece container set with lids (shown below).

Accessories available through an authorized Wolf dealer. For local dealer information, visit the find a showroom section of our website, wolfappliance.com.



Accessory container set.

SPECIFICATIONS

PRODUCT

76cm Front W759mm x H264mm x D578mm
 91cm Front W911mm x H264mm x D578mm
 Weight 45 kg

INTERIOR

Capacity 45 L
 Dimensions W635mm x H152mm x D457mm

ELECTRICAL

Supply 220-240 VAC, 50/60 Hz
 Load 4 amp
 Connection 13 amp
 Power Cord 0.9 m

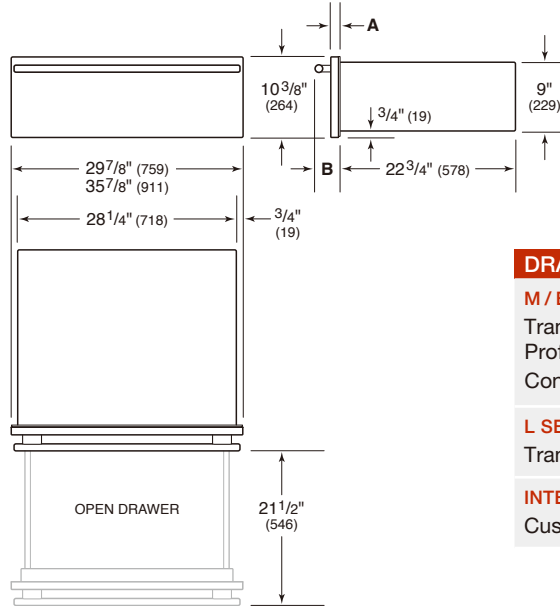
POWER RATING

Maximum 850 W

Specifications are subject to change without notice. Visit wolfappliance.com/specs for the most up-to-date information.

Dimensions may vary $\pm 1/8"$ or 3mm. Dimensions in parentheses are millimeters unless otherwise specified.

DIMENSIONS



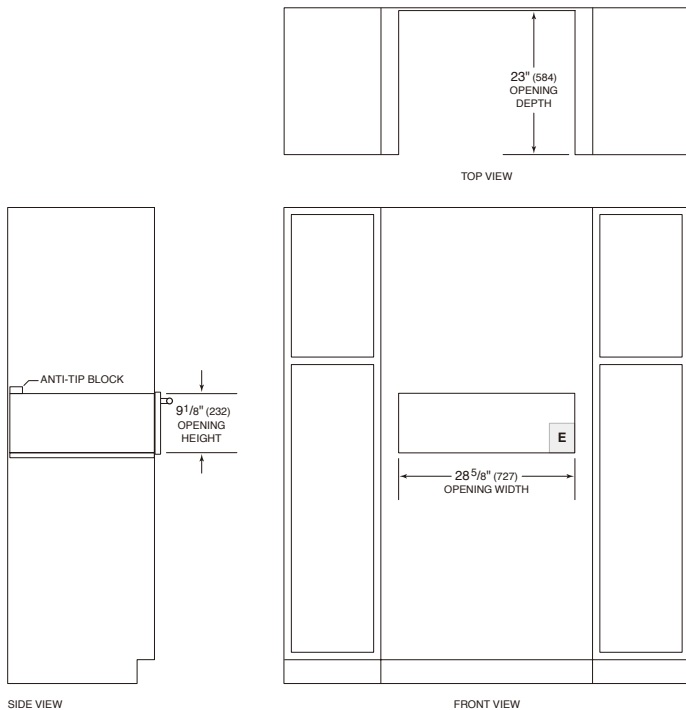
DRAWER FRONT

M / E SERIES	A	B
Transitional / Professional	29mm	89mm
Professional (5cm thick)	54mm	114mm
Contemporary	35mm	95mm

L SERIES	A	B
Transitional	22mm	89mm

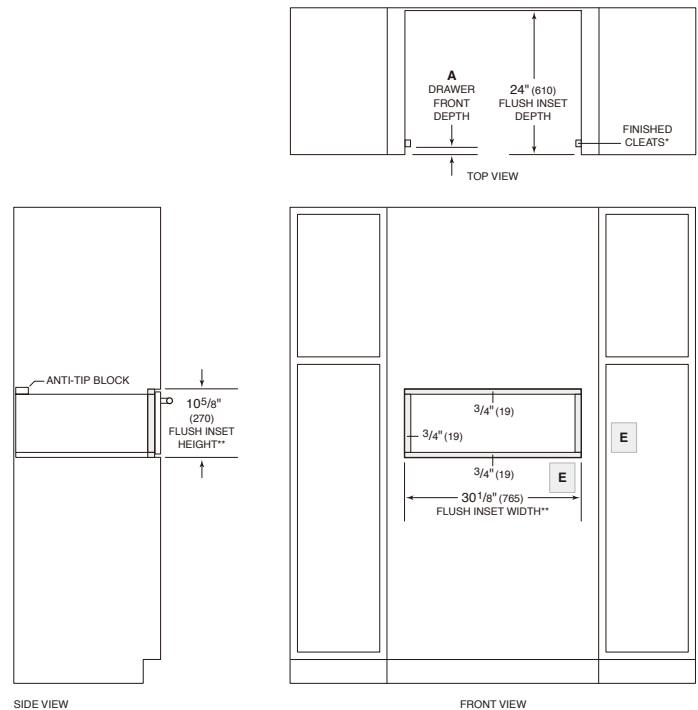
INTEGRATED	A
Custom Panel (typical)	19mm

STANDARD INSTALLATION



NOTE: Location of electrical supply within opening may require additional cabinet depth.

FLUSH INSET INSTALLATION



*Will be visible and should be finished to match cabinetry.
 **Dimension provides minimum reveals.
 NOTE: Dimensions provided allow for 1/4" (6) reveal for proper air flow.
 Location of electrical supply within opening may require additional cabinet depth.

DRAWER FRONT DEPTH

M / E SERIES DRAWER FRONT	A
Transitional / Professional	29mm
Professional (5cm thick)	54mm
Contemporary	35mm

Custom front panel depth is dependent on panel thickness.