

**STEAMER MODULE  
INSTALLATION INSTRUCTIONS**

**MÓDULO DE VAPORIZADOR INSTRUCCIONES DE INSTALACIÓN**

**CUIT VAPEUR INSTRUCTIONS D'INSTALLATION**

**MODULO PER LA COTTURA ISTRUZIONI PER L'INSTALLAZIONE**

**WOLF<sup>®</sup>**



**WOLF**<sup>®</sup>

ENGLISH	4
ESPÁNOL	14
FRANÇAIS	24
ITALIANO	34



## CONTACT INFORMATION

**Website:**  
[wolfappliance.com](http://wolfappliance.com)

As you follow these instructions, you will notice **WARNING** and **CAUTION** symbols. This blocked information is important for the safe and efficient installation of Wolf equipment. There are two types of potential hazards that may occur during installation.

### **⚠ CAUTION**

signals a situation where minor injury or product damage may occur if you do not follow instructions.

### **⚠ WARNING**

states a hazard that may cause serious injury or death if precautions are not followed.

Another footnote we would like to identify is **IMPORTANT NOTE**: This highlights information that is especially relevant to a problem-free installation.



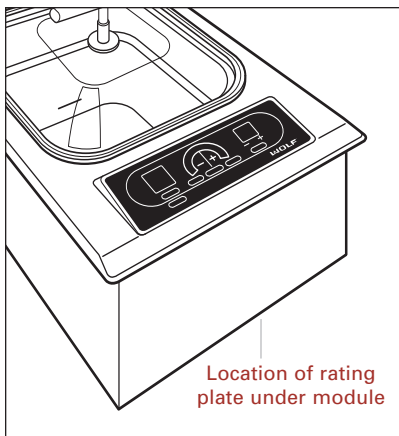
**INSTALLATION** REQUIREMENTS

**IMPORTANT NOTE:** Save these Installation Instructions for the local inspector's use.

- Please read the entire Installation Instructions prior to installation.
- This installation must be completed by a qualified technician.
- **Installer:** please retain these instructions for local inspector's reference, then leave them with the homeowner.
- **Homeowner:** please read and keep these instructions for future reference and be sure to read the entire Use & Care Information prior to use.

**IMPORTANT NOTE:** This appliance must be installed in accordance with local codes. The correct voltage, frequency and amperage must be supplied to the appliance from a dedicated, grounded circuit which is protected by a properly sized circuit breaker or time delay fuse. The proper voltage, frequency, and amperage ratings are listed on the product rating plate.

Record the model and serial numbers before installing the steamer module. Both numbers are listed on the product rating plate located on the underside of the module. Refer to the illustration below.



**Rating plate location**

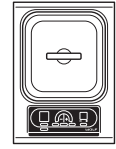
**BEFORE YOU START**

**IMPORTANT NOTE:** Installation and service must be performed by a qualified installer or service agency.

- Installation of the steamer module must meet the minimum clearance requirements for safe operation. Refer to Site Preparation on page 6.
- Electrical installation must be adequate and in compliance with all local codes and ordinances. Electrical ground is required, refer to Electrical Requirements on page 10.
- The steamer module must be installed with a drain connection and access to the drain through the base cabinet. Refer to Drain Connection on page 8.
- If the steamer module is to be used with any combination of additional cooktop units or modules, refer to Multiple Cooktop Installation on page 8.

**IMPORTANT NOTE:** A ventilation hood is recommended (but not required) for use with the Wolf electric steamer module.

**⚠ WARNING**  
**This module is intended for indoor use.**



**Model ICBIS15/S**

**Model Number**  
**ICBIS15/S**

**Serial Number**



**SITE PREPARATION**

**IMPORTANT NOTE:** Installation of the Wolf electric steamer module must meet the following location requirements. All dimensions listed are minimum requirements for safe operation. Refer to the illustration below.

**⚠ WARNING**  
**To eliminate the risk of burns or fire by reaching over heated surface units, cabinet storage space located above the surface units should be avoided. If cabinet storage is to be provided, the risk can be reduced by installing a ventilation hood that protects horizontally a minimum of 127 mm beyond the bottom of the cabinets.**

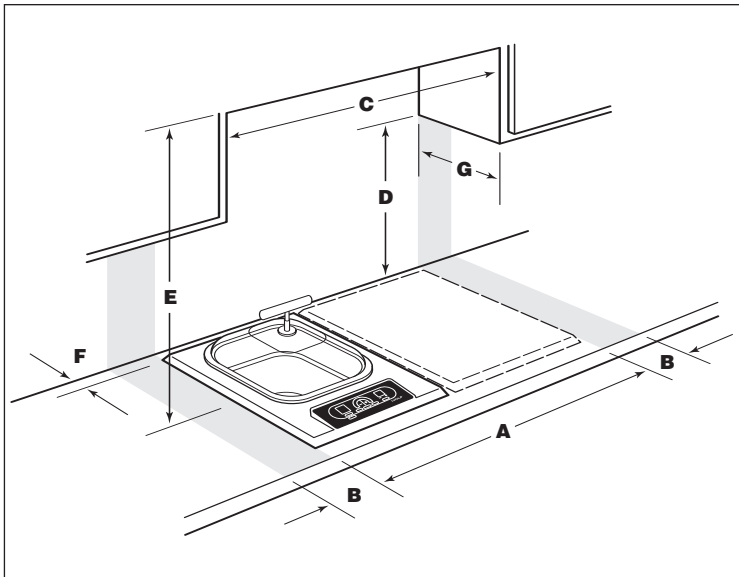
**LOCATION IN COUNTERTOP**

- A)** Minimum flat countertop surface. Must be equal to or greater than the width of the module(s).
- B)** Minimum 152 mm wide clearance from the module side edge to any combustible surface up to 457 mm above the countertop (noted by shaded area).

**OVERHEAD CABINET DIMENSIONS**

- C)** Minimum spacing between overhead side cabinets must be greater than or equal to the nominal width of the module(s).
- D)** Minimum 457 mm vertical distance from the countertop to the bottom of side cabinets within minimum side clearance.
- E)** Minimum vertical distance between the countertop and combustible materials above the module must be 762 mm.
- F)** Minimum 25 mm from rear wall.
- G)** Maximum 330 mm depth of overhead and side cabinets directly above and within side clearance.

**⚠ WARNING**  
**Failure to locate the cooktop module without the proper clearances will result in a fire hazard.**



**Minimum installation clearances**



INSTALLATION SPECIFICATIONS

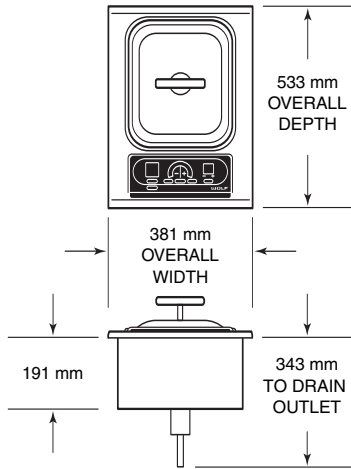
The illustrations below provide the overall dimensions, finished cut-out dimensions and electrical placement for the Wolf electric steamer module.

The steamer module is designed to fit a standard 610 mm deep base cabinet with 635 mm deep countertop. Before making the countertop cut-out, verify that the module will clear the side walls of the base cabinet below.

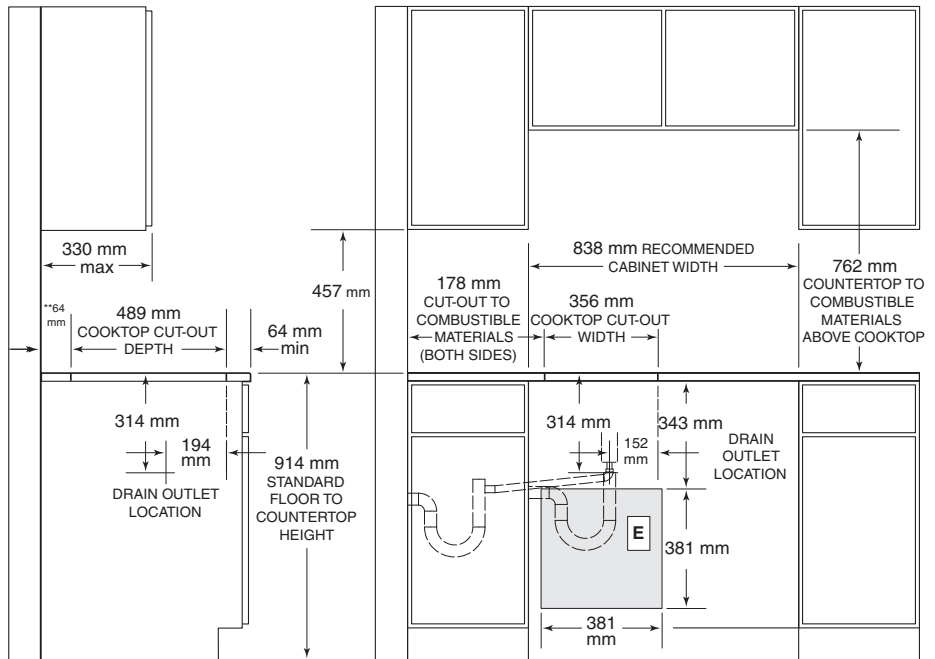
MODEL ICBIS15/S DIMENSIONS

Overall Width	381 mm
Overall Height	343 mm
Overall Depth	533 mm
Minimum Cabinet Depth	578 mm
Minimum Height Clearance	343 mm
Cut-Out Width	356 mm
Cut-Out Depth	489 mm

Unit dimensions may vary to ± 3 mm.



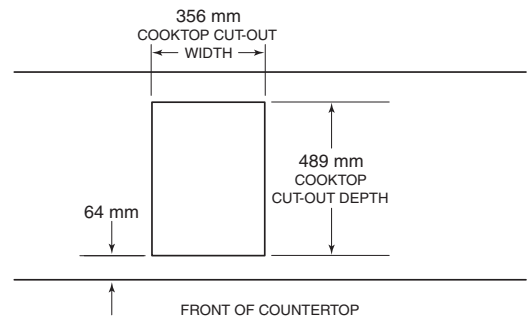
Overall Dimensions



NOTE: Application shown allows for installation of two 381 mm modules side-by-side with 838 mm recommended cabinet width. 457 mm recommended cabinet width for installation of single 381 mm cooktop or module. \*Minimum clearance from both side edges of cooktop cut-out to combustible materials up to 457 mm above countertop. \*\*Minimum clearance from rear edge of cooktop cut-out to combustible materials up to 457 mm above countertop.

Installation Specifications

Countertop Cut-Out Dimensions





**INSTALLATION SPECIFICATIONS**

**DRAIN CONNECTION**

**IMPORTANT NOTE:** The steamer module must be installed with a drain connection and access to the drain through the base cabinet.

For the drain connection, the 16 mm outlet from the valve will accept a drain hose that must flow downward to and tie into an existing sink drain, or a separate drain with a freefall may be installed. Following local building codes; your plumber will dictate how to plumb the unit. As a third option, the consumer will supply a heat resistant bucket for drainage in the location of the drain outlet. Refer to the illustration on page 7 for location of the drain outlet.

**⚠ WARNING**  
**If there is no fixed drain connection, use a heat-resistant receptacle with a minimum 7.6 L capacity. The doors of the base cabinet must be locked.**

**MULTIPLE COOKTOP INSTALLATION**

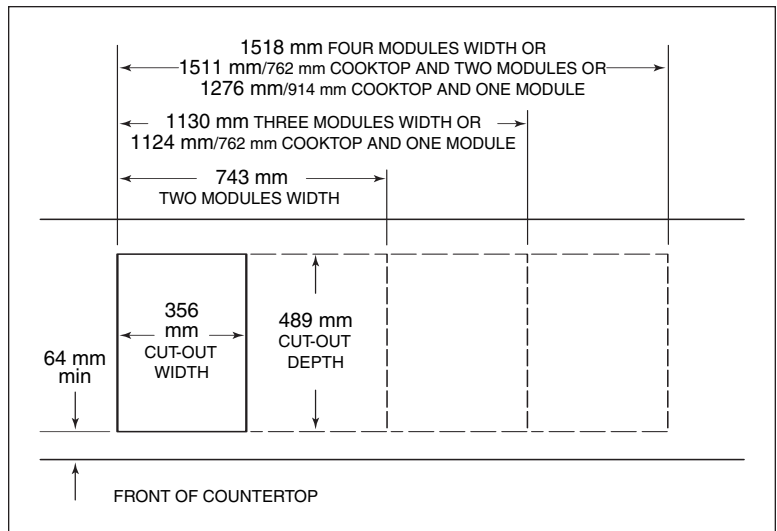
**IMPORTANT NOTE:** If the steamer module is to be used with a combination of additional cooktop units or modules with a filler strip, the cut-out width is calculated by adding the corresponding units' cut-out dimensions plus 32 mm for each additional unit.

When multiple units are installed side by side, each unit must have its own separate recommended electrical circuit.

When two or more modules are installed together, an integrated module filler strip (IFILLER/S) is recommended. Contact your Wolf dealer for information on accessories.

**IMPORTANT NOTE:** Review specific installation instructions for product to product capabilities.

**⚠ WARNING**  
**This steamer module must be installed at least 381 mm away from a Wolf fryer module, as contact between water and hot oil may cause burns from steam and hot oil.**



**Countertop cut-out dimensions for installation of multiple cooktops**



### VENTILATION OPTIONS

**IMPORTANT NOTE:** It is recommended that you operate the Wolf electric steamer module with either a Wolf cooktop or Pro ventilation hood or hood liner. Contact your Wolf dealer for details.

- **Cooktop Wall Hood** – 762 mm or 914 mm widths in classic stainless steel.
- **Cooktop Island Hood** – 1067 mm width in classic stainless steel.
- **Pro Wall Hood** – 559 mm, 610 mm or 686 mm depths and 762 mm to 1676 mm widths in classic stainless steel.
- **Pro Island Hood** – 914 mm to 1676 mm widths in classic stainless steel.
- **Pro Hood Liner** – available in widths to accommodate 914 mm to 1524 mm hoods.

All hoods have welded seams, sealed halogen lighting and removable, dishwasher-safe filters.

**IMPORTANT NOTE:** Wolf does not recommend the use of downdraft ventilation with the steamer module.

**IMPORTANT NOTE:** When installing a ventilation hood, refer to the specific requirements of the hood for the minimum dimension to the countertop.

### ACCESSORIES

**Optional accessories are available through your Wolf dealer.**



## ELECTRICAL REQUIREMENTS

**⚠ WARNING**

**Attach the power cord to the unit before plugging the cord into the wall.**

- **Required Power Supply**  
220–240 V AC, 50 Hz, 15 amp service
- **Maximum Connected Load**  
2.6 kW

The Wolf electric steamer module requires a separate, grounded 3-wire 220–240 V AC, 50/60 Hz, 15 amp service with its own circuit breaker or fuse. A properly rated cord should be attached to the power supply box of the steamer as shown in the illustration below. Open the power box to expose the screws with corresponding numbers. Loosen the 1, 5, and ground screws. Run the cord through the circular hole and into the power supply box. Attach the Neutral wire to the number 1 position. Line should be attached to the 5 position and attach the ground to the corresponding ground screw. After tightening the screws, close the cover to the power supply box without pinching any of the wires.

You must follow local codes and ordinances when installing your service.

**IMPORTANT NOTE:** The correct voltage, frequency and amperage must be supplied to the appliance from a dedicated, grounded circuit which is protected by a properly sized circuit breaker or time delay fuse. The proper voltage, frequency, and amperage ratings are listed on the product rating plate located on the underside of the module. Refer to the illustration on page 5.

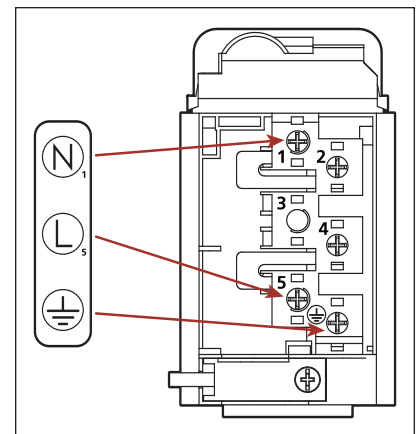
The wiring diagram covering the control circuit is located inside the module control box.

**⚠ WARNING**

**The complete appliance must be properly grounded at all times when electrical power is applied.**

**Improper connection can result in a fire hazard!**

**IMPORTANT NOTE:** To avoid electrical shock when disconnecting the steamer module, all poles/wires must be disconnected from the power supply box.



**Power supply box**



MODULE INSTALLATION

To prevent pollution from entering the controller and transformer area, attach the foam strip to the underside of the module frame. Refer to the illustration below.

Gently lower the steamer module into the cut-out area in the countertop and center. Check that the front edge of module is parallel to the front edge of the countertop. Check that all required clearances are met.

To attach the brackets to the sides of the module, insert the clip into the rectangular punchout in the pan, and push down. Install the clamping screw into the bracket and tighten until the screw contacts the underside of the countertop. Do not overtighten screws. Refer to the illustration below.

**IMPORTANT NOTE:** Do not use caulk or silicone to seal the module to the countertop. The unit must be readily removable for service.

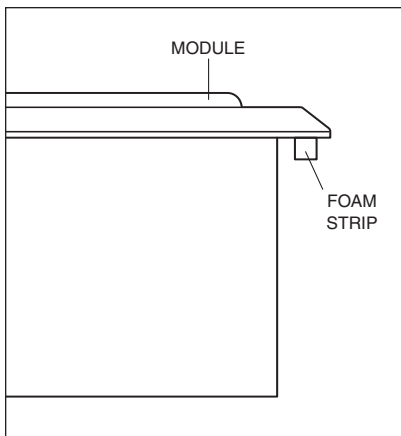
BEFORE OPERATING

Read the entire Wolf Steamer Module Use & Care Information included with the module. Important safety and service information is contained within the book.

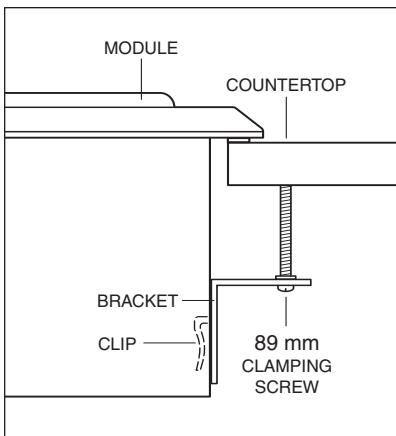
Thoroughly clean the stainless steel steamer basin and insert pans with mild soap and water before use.

**⚠ CAUTION**

**Never operate the steamer module without water, damage to the unit may result. Water or liquid must be added to the steamer basin before turning the module on. Never use oil, damage to the unit may result.**



Foam strip



Installation brackets



## MODULE REMOVAL

**IMPORTANT NOTE:** Removal of the steamer module should only be performed by a Wolf service center technician.

If removing the steamer module is necessary for cleaning or service, first disconnect the electric supply. Remove the mounting brackets on each side of module and remove. To reinstall, refer to page 11.

### **⚠ WARNING**

**The module must be disconnected from power prior to removal and service.**

## TROUBLESHOOTING

**IMPORTANT NOTE:** If the steamer module does not operate properly, follow these troubleshooting steps:

- Verify that power is being supplied to the module.
- Check electrical connections to ensure that the installation has been completed correctly.
- Follow troubleshooting procedures as described in the Wolf Steamer Module Use & Care Information.
- If the module still does not work, contact your Wolf dealer or regional distributor. Do not attempt to repair the cooktop module yourself.



### IF YOU NEED **SERVICE**

- For service in your area, contact either your Wolf dealer or visit the Locator page of our website, **wolfappliance.com** to find the regional distributor by country.
- When calling for service, be sure to have the model and serial number of the steamer module. Both numbers are listed on the product rating plate located on the underside of the module. Refer to the illustration on page 5.

**IMPORTANT NOTE:** Installation and service must be performed by a qualified installer or service agency.

### CONTACT INFORMATION

**Website:**  
**wolfappliance.com**

The information and images are the copyright property of Wolf Appliance Company, Inc., an affiliate of Sub-Zero Freezer Company, Inc. Neither this book nor any information or images contained herein may be copied or used in whole or in part without the express written permission of Wolf Appliance Company, Inc., an affiliate of Sub-Zero Freezer Company, Inc.

©Wolf Appliance Company, Inc. all rights reserved.



**WOLF**<sup>®</sup>

INFORMACIÓN  
DE CONTACTO

**Página Web:**  
[wolfappliance.com](http://wolfappliance.com)

A medida que sigue las instrucciones que aparecen en esta guía, encontrará símbolos de **AVISO** y **PRECAUCIÓN**. Esta información es importante para instalar el equipo de Wolf de forma segura y eficaz. Existen dos tipos de riesgos potenciales que pueden surgir durante la instalación.

#### **▲ PRECAUCIÓN**

indica una situación en la que se pueden sufrir heridas leves o provocar daños secundarios al producto si no se siguen las instrucciones.

#### **▲ AVISO**

indica peligro de que se produzcan heridas personales graves o incluso puede provocar la muerte si no se siguen las precauciones advertidas.

Otro tipo de anotación que debe identificar es la que se incluye en **NOTA IMPORTANTE**: En esta nota se resalta la información que resulta especialmente importante para que la instalación se pueda realizar sin problemas.



## REQUISITOS DE **INSTALACIÓN**

**NOTA IMPORTANTE:** Guarde estas instrucciones de instalación para que el inspector pueda utilizarlas.

- Lea las instrucciones de instalación antes de llevar a cabo la instalación.
- La instalación debe ser realizada por un técnico cualificado.
- **Instalador:** guarde estas instrucciones para que el inspector pueda utilizarlas como referencia y, a continuación, entréguelas al propietario del aparato.
- **Propietario:** lea y guarde estas instrucciones para que pueda utilizarlas como referencia en el futuro y asegúrese de leer la guía de uso y mantenimiento antes de utilizar el módulo.

**NOTA IMPORTANTE:** Este aparato debe ser instalado siguiendo las normativas nacionales correspondientes. Se debe aplicar al aparato el voltaje, la frecuencia y el amperaje adecuados desde una instalación eléctrica resistente con toma de tierra y protegida por un fusible de retardo. El voltaje, la frecuencia y el amperaje se muestran en la placa de datos de voltaje del producto.

Apunte la referencia del modelo y el número de serie antes de instalar el módulo de vaporizador. Esta información se muestra en la placa de datos de voltaje del producto situada en la parte inferior del módulo. Observe la siguiente ilustración.



**Ubicación de la placa de voltaje**

## **ANTES** DE COMENZAR

**NOTA IMPORTANTE:** La instalación y el mantenimiento deben ser realizados por un instalador cualificado o por un centro de asistencia técnica.

- La instalación del módulo de vaporizador debe cumplir los requisitos mínimos de espacio para que funcione de manera segura y eficaz. Consulte la sección Preparación del sitio en la página 16.
- La instalación eléctrica debe ser la adecuada y debe cumplir las normativas y ordenanzas nacionales sobre instalaciones eléctricas. Este aparato necesita una conexión a tierra; consulte la sección Requisitos eléctricos en la página 20.
- El módulo de vaporizador debe instalarse con una conexión de desagüe a la que se pueda obtener acceso a través del armario inferior. Consulte la sección Conexión de desagüe en la página 18.
- Si el módulo de vaporizador se va a utilizar con otra combinación de módulos o unidades de cocción adicionales, consulte la sección Instalación de otras superficies de cocción en la página 18.

**NOTA IMPORTANTE:** Se recomienda utilizar una campana extractora con el módulo de vaporizador eléctrico de Wolf, aunque no es obligatorio.

**⚠ AVISO**  
**Este módulo está diseñado para que se utilice en espacios interiores.**



**Modelo ICBIS15/S**

**Referencia del modelo ICBIS15/S**

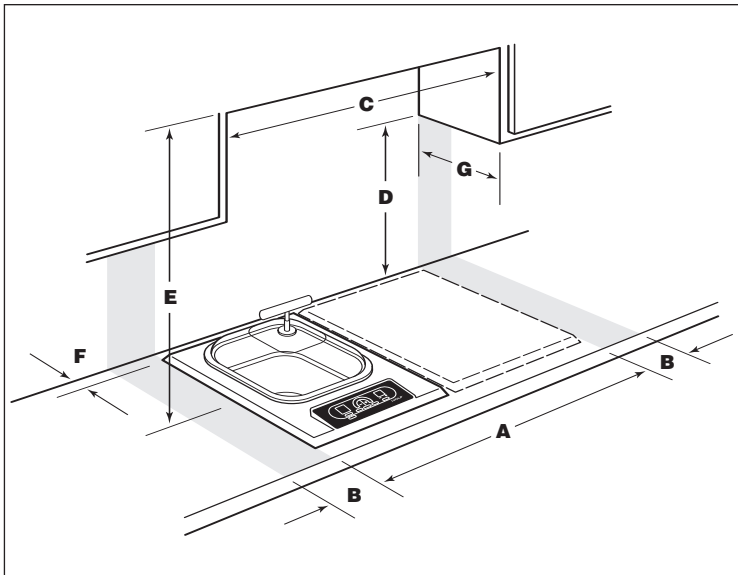
**Número de serie**

PREPARACIÓN DEL SITIO

**NOTA IMPORTANTE:** La instalación del módulo de vaporizador eléctrico de Wolf debe cumplir los siguientes requisitos de colocación. Las medidas que se especifican son las mínimas para que el funcionamiento del módulo sea seguro. Observe la siguiente ilustración.

**▲ AVISO**

Para eliminar el riesgo de sufrir quemaduras o de que se produzca un incendio al tocar las superficies calientes, debe evitar colocar armarios por encima de los módulos de superficie. Si va a colocar armarios, el riesgo se puede reducir instalando una campana de extracción que sobresalga horizontalmente un mínimo de 127 mm de la parte inferior de los armarios.



Distancias mínimas de instalación

COLOCACIÓN EN LA ENCIMERA

- A)** Superficie mínima de encimera plana. Debe ser igual o superior al ancho del módulo o módulos.
- B)** Espacio mínimo de 152 mm desde el borde lateral del módulo a cualquier superficie combustible situada 457 mm por encima de la encimera (área sombreada de la ilustración).

MEDIDAS DE LOS ARMARIOS SUPERIORES

- C)** El espacio mínimo entre los armarios superiores laterales debe ser igual o superior al ancho nominal del módulo o módulos.
- D)** Debe existir una distancia vertical mínima de 457 mm desde la encimera hasta la parte inferior de los armarios laterales con una distancia lateral mínima.
- E)** La distancia vertical mínima entre la encimera y los materiales combustibles superiores debe ser de 762 mm.
- F)** Distancia mínima de 25 mm a la pared trasera.
- G)** El fondo máximo de los armarios superiores y laterales, situados en la parte superior, debe ser de 330 mm con una distancia lateral mínima.

**▲ AVISO**

Si no coloca la superficie de cocción manteniendo las distancias de separación adecuadas, existirá riesgo de incendio.



**ESPECIFICACIONES DE LA  
INSTALACIÓN**

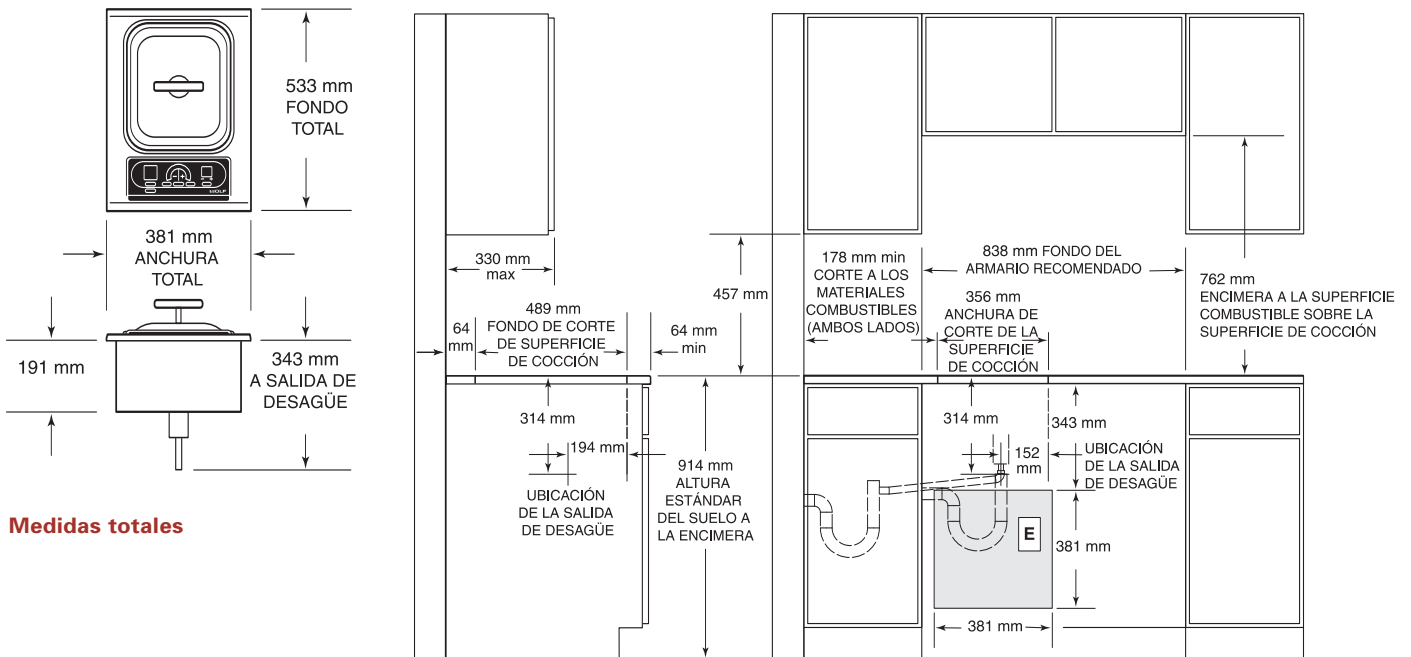
Las siguientes ilustraciones proporcionan las medidas totales, las medidas de corte acabado y la colocación de la conexión eléctrica del módulo de vaporizador eléctrico de Wolf.

El módulo de vaporizador está diseñado para que se adapte a un armario inferior de 610 mm de fondo con una encimera de 635 mm de fondo. Antes de cortar la encimera, compruebe que el módulo va a quedar separado de las paredes laterales del armario inferior.

**DIMENSIONES DEL MODELO  
ICBISI 5/S**

Anchura total	381 mm
Altura total	343 mm
Fondo total	533 mm
Fondo mínimo del armario	578 mm
Espacio mínimo de altura	343 mm
Ancho del corte	356 mm
Fondo del corte	489 mm

*Las medidas de la unidad puede variar en ± 3 mm.*

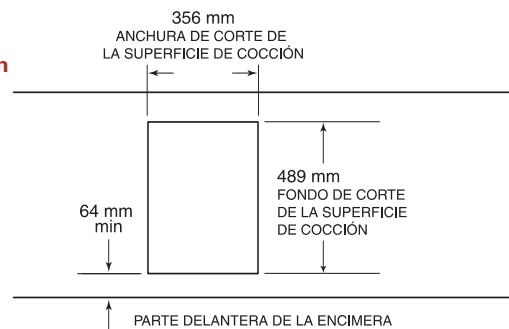


**Medidas totales**

*NOTA: La aplicación que se muestra permite la instalación de dos módulos side-by-side de 381 mm con una anchura del armario recomendada de 838 mm. Anchura recomendada del armario de 457 mm para la instalación de un módulo o superficie de cocción de 381 mm. \*Espacio mínimo desde ambos bordes laterales del corte de la superficie de cocción hasta los materiales inflamables situados a 457 mm por encima de la encimera. \*\*Espacio mínimo desde el borde trasero del corte de la superficie de cocción a materiales inflamables situados a 457 mm sobre la encimera.*

**Especificaciones de la instalación**

**Medidas de corte  
de la encimera**





ESPECIFICACIONES DE LA  
INSTALACIÓN

CONEXIÓN DE DESAGÜE

**NOTA IMPORTANTE:** El módulo de vaporizador debe instalarse con una conexión de desagüe a la que se pueda obtener acceso a través del armario inferior.

Para la conexión de desagüe, la salida de 16 mm de la válvula admite una manguera de drenaje que debe fluir de manera descendente y unirse a un desagüe existente o a un desagüe independiente de caída libre. Siguiendo la normativa nacional de construcción, el fontanero determinará cómo realizar las conexiones de fontanería. Como tercera opción, el cliente puede proporcionar un recipiente resistente al calor para colocarlo en la salida del desagüe. Consulte la ilustración de la página 17 para ubicar la salida del desagüe.

**▲ AVISO**

**Si no existe ninguna conexión de desagüe fija, utilice un recipiente resistente al calor con una capacidad mínima de 7,6 L. Las puertas del armario inferior deben estar cerradas.**

INSTALACIÓN DE OTRAS  
SUPERFICIES DE COCCIÓN

**NOTA IMPORTANTE:** Si el módulo de vaporizador se va a utilizar con otros módulos o unidades de cocción adicionales con un embellecedor, el ancho del corte se calcula añadiendo las medidas de corte de la unidad correspondiente más 32 mm por cada unidad adicional.

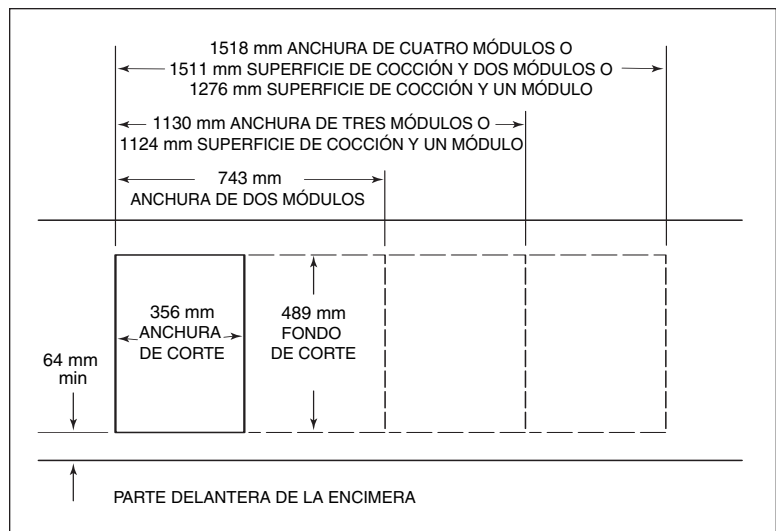
Cuando se instalen varias unidades juntas, cada unidad debe tener un circuito eléctrico propio recomendado.

Cuando se instalen dos o más módulos juntos, se recomienda utilizar un embellecedor (IFILLER/S) de módulo integrado. Póngase en contacto con su distribuidor de Wolf para obtener información sobre los accesorios.

**NOTA IMPORTANTE:** Revise las instrucciones de instalación específicas para conocer las capacidades de cada uno de los productos.

**▲ AVISO**

**Este módulo de vaporizador debe instalarse manteniendo una distancia de al menos 381 mm respecto al módulo de freír de Wolf ya que el contacto entre el agua y el aceite caliente puede causar quemaduras provocadas por el vapor y el aceite caliente.**



**Dimensiones de corte de la encimera para la instalación de otras superficies de cocción**

OPCIONES DE **VENTILACIÓN**

**NOTA IMPORTANTE:** Se recomienda utilizar el módulo de vaporizador eléctrico de Wolf con una superficie de cocción de Wolf o con una campana extractora o integrable de la serie Pro. Póngase en contacto con su distribuidor de Wolf para obtener más detalles.

- **Campana de pared** – 762 mm ó 914 mm de ancho en acero inoxidable clásico.
- **Campana isla** – 1067 mm de ancho en acero inoxidable clásico.
- **Campana de pared Pro**– 559 mm, 610 mm ó 686 mm de fondo y 762 mm a 1676 mm de ancho en acero inoxidable clásico.
- **Campana isla Pro** – 914 mm a 1676 mm de ancho en acero inoxidable clásico.
- **Campana integrable Pro** – disponible en distintos anchos para que se pueda ajustar a campanas de 914 mm a 1524 mm.

Todas las campanas tienen uniones soldadas, lámparas halógenas herméticas y filtros extraíbles que se pueden lavar en el lavavajillas de manera segura.

**NOTA IMPORTANTE:** Wolf no recomienda utilizar el extractor de superficie con el módulo de vaporizador.

**NOTA IMPORTANTE:** Cuando instale una campana extractora, consulte los requisitos específicos de la campana para obtener las medidas mínimas que debe mantener respecto a la encimera.

## ACCESORIOS

**Podrá disponer de accesorios opcionales a través de su distribuidor de Wolf.**

REQUISITOS ELÉCTRICOS

**⚠ AVISO**

**Conecte el cable de alimentación a la unidad antes de conectar éste a la toma de pared.**

- **Alimentación eléctrica requerida**  
220–240 V CA, 50 Hz, 15 amperios
- **Carga máxima conectada**  
2,6 kW

El módulo de vaporizador eléctrico de Wolf requiere una red eléctrica de 220–240 V CA, 50/60 Hz y 15 amperios, individual con toma a tierra con un cable de tres hilos y con su propio cortacircuitos o fusible. Debe conectar un cable apto para el voltaje correspondiente a la caja de suministro eléctrico del módulo tal y como se muestra en la siguiente ilustración. Abra la caja de suministro eléctrico para ver los tornillos con los números correspondientes. Afloje los tornillos 1, 5 y el tornillo de conexión a tierra. Pase el cable por el agujero circular e introdúzcalo en la caja de suministro eléctrico. Conecte el cable neutro en la posición número 1. El cable de línea debe conectarse en la posición número 5 y el cable de conexión a tierra en el tornillo de conexión a tierra correspondiente. Una vez que haya apretado los tornillos, cierre la tapa de la caja de suministro eléctrico asegurándose de que los cables no quedan enganchados.

Deberá cumplir las ordenanzas y normativas nacionales cuando instale el aparato.

**NOTA IMPORTANTE:** El voltaje, la frecuencia y el amperaje correctos deben suministrarse desde una red eléctrica adecuada con toma de tierra y fusible de retardo. El voltaje, la frecuencia y el amperaje correctos se muestran en la placa de datos de voltaje del producto situada en la parte inferior del módulo. Consulte la ilustración de la página 15.

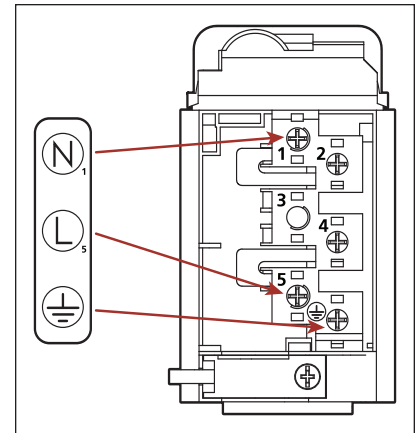
El diagrama de cableado que incluye información sobre el circuito de control está situado dentro de la caja de control del módulo.

**⚠ AVISO**

**El aparato debe estar conectado a tierra de manera correcta siempre que esté conectado a la red eléctrica.**

**Si la conexión no se realiza de manera correcta, existe riesgo de que se produzca un incendio.**

**NOTA IMPORTANTE:** Para evitar que se produzca una descarga eléctrica al desconectar el módulo de vaporizador, debe desconectar el aparato de la red eléctrica.



**Caja de suministro eléctrico**

**INSTALACIÓN** DEL MÓDULO

Para evitar que entre suciedad en el área del controlador y del transformador, coloque el embellecedor en la parte inferior del marco del módulo. Observe la siguiente ilustración.

Coloque con cuidado el módulo de vaporizador en el área recortada de la encimera y céntrelo. Compruebe que el borde delantero del módulo se coloca en paralelo al borde delantero de la encimera. Compruebe que se han dejado los espacios mínimos requeridos.

Para colocar los soportes en los laterales del módulo, inserte el fijador en el hueco rectangular de la bandeja y presione hacia abajo. Instale el tornillo de sujeción en el soporte y apriételo hasta que el tornillo toque la parte inferior de la encimera. No apriete los tornillos demasiado. Observe la siguiente ilustración.

**NOTA IMPORTANTE:** No utilice masilla ni silicona para sellar el módulo a la encimera. La unidad debe extraerse con facilidad para realizar las tareas de mantenimiento.

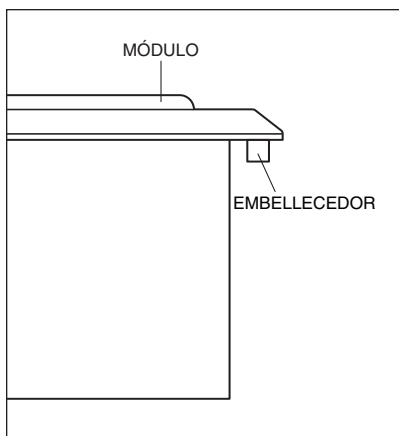
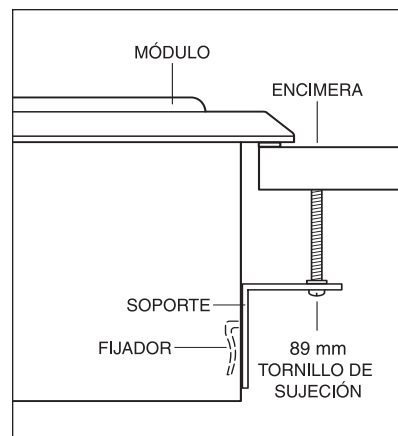
**ANTES** DE UTILIZAR LA UNIDAD

Lea la guía de uso y mantenimiento del módulo de vaporizador de Wolf que se incluye con el módulo. Esta guía contiene información importante sobre la seguridad y el mantenimiento del módulo.

Limpie con detenimiento la cubeta del vaporizador y las bandejas de acero inoxidable con detergente suave y agua antes de utilizarlas.

**⚠ PRECAUCIÓN**

**No ponga nunca en funcionamiento el módulo de vaporizador sin agua ya que se podrían producir daños en la unidad. El agua o el líquido debe añadirse a la cubeta del vaporizador antes de encender el módulo. No utilice nunca aceite ya que se podrían producir daños en la unidad.**

**Embellecedor****Soportes de instalación**



### EXTRACCIÓN DEL MÓDULO

**NOTA IMPORTANTE:** La extracción del módulo de vaporizador debe ser realizado por un técnico de mantenimiento de Wolf.

Si necesita quitar el módulo de vaporizador para limpiarlo o para realizar alguna tarea de mantenimiento, desconecte primero el aparato de la red eléctrica. Quite los soportes de montaje situados a cada lado del módulo y extráigalo. Para colocarlo de nuevo, consulte la página 21.

#### AVISO

**El módulo debe estar desconectado de la red eléctrica para extraerlo y realizar las tareas de mantenimiento.**

### SOLUCIÓN DE PROBLEMAS

**NOTA IMPORTANTE:** Si el módulo de vaporizador no funciona correctamente, siga estos pasos de localización y solución de problemas:

- Compruebe que el módulo está conectado a la red eléctrica.
- Compruebe las conexiones eléctricas para asegurarse de que la instalación se ha llevado a cabo de manera correcta.
- Realice los procedimientos de solución de problemas tal y como se describe en la guía de uso y mantenimiento del módulo de vaporizador de Wolf.
- Si el módulo continúa sin funcionar, póngase en contacto con el distribuidor de Wolf o con su distribuidor más cercano. No intente realizar ninguna reparación en el módulo de vaporizador.



SI NECESITA **ASISTENCIA TÉCNICA**

- Para buscar el servicio técnico más cercano, póngase en contacto con su distribuidor de Wolf o visite la página Web, **wolfappliance.com**, para buscar el distribuidor más cercano.
- Cuando solicite asistencia técnica, debe proporcionar la referencia del modelo y el número de serie del módulo de vaporizador. Esta información se muestra en la placa de datos de voltaje del producto situada en la parte inferior del módulo. Consulte la ilustración de la página 15.

**NOTA IMPORTANTE:** La instalación y las tareas de mantenimiento deben ser realizadas por un instalador cualificado o por un centro de asistencia técnica.

INFORMACIÓN  
DE CONTACTO

**Página Web:**  
**wolfappliance.com**

La información y las imágenes que se incluyen en este documento son propiedad de Wolf Appliance Company, Inc., una filial de Sub-Zero Freezer Company, Inc. Este documento junto con la información y las imágenes que en él se incluyen no pueden copiarse ni utilizarse, total ni parcialmente, sin el consentimiento por escrito de Wolf Appliance Company, Inc., una filial de Sub-Zero Freezer Company, Inc.

©Wolf Appliance Company, Inc. se reserva todos los derechos.



**WOLF**<sup>®</sup>

INFORMATION  
DE CONTACT

Site Internet :  
[wolfappliance.com](http://wolfappliance.com)

Vous remarquerez tout au long de ce manuel d'instructions les mentions **AVERTISSEMENT** et **MISE EN GARDE**, destinées à fournir des recommandations importantes particulièrement la sécurité et l'efficacité de l'installation de l'équipement Wolf. Deux types de dangers potentiels peuvent se présenter pendant l'installation.

#### **▲ MISE EN GARDE**

signale un danger qui pourrait causer une blessure mineure ou endommager le produit si vous ne suivez pas les instructions.

#### **▲ AVERTISSEMENT**

signale un danger qui pourrait causer des blessures graves voire fatales si vous ne prenez pas certaines précautions.

De plus, la mention **REMARQUE IMPORTANTE** met l'accent sur un renseignement particulièrement important pour assurer une installation parfaite.



EXIGENCES RELATIVES  
A L'INSTALLATION

**REMARQUE IMPORTANTE :** Conservez ces instructions d'installation pour le technicien local.

- Veuillez lire les instructions d'installation dans leur intégralité avant de procéder à l'installation.
- L'installation doit être effectuée par un poseur qualifié.
- **Poseur :** Veuillez conserver ces instructions afin que le technicien puisse s'y reporter, puis laissez-les au propriétaire.
- **Propriétaire :** Veuillez lire et garder ces instructions pour pouvoir vous y reporter ultérieurement et assurez-vous de lire le Guide d'utilisation et d'entretien dans son intégralité avant d'utiliser votre appareil.

**REMARQUE IMPORTANTE :** Cet appareil doit être installé conformément aux codes locaux. La tension, la fréquence et l'ampérage appropriés doivent être fournis à cet appareil à partir d'un circuit spécial, mis à la terre et protégé par un disjoncteur ou un fusible à fusion temporisée adapté à l'intensité de courant requise. La tension, la fréquence et l'ampérage requis sont indiqués sur la plaque des caractéristiques du produit.

Consignez les numéros de modèle et de série avant d'installer le cuit vapeur. Ces deux numéros figurent sur la plaque des caractéristiques du produit située sur le dessous du module. Reportez-vous à l'illustration ci-après.



Emplacement de la plaque des caractéristiques sous le module

**Emplacement de la plaque des caractéristiques**

AVANT DE COMMENCER

**REMARQUE IMPORTANTE :** L'installation et l'entretien doivent être exécutés par un poseur qualifié ou par une antenne technique Wolf.

- L'installation du cuit vapeur doit satisfaire aux cotes d'encastrement minimales pour assurer un fonctionnement sans danger. Reportez-vous à la section Préparation de l'emplacement figurant page 26.
- L'installation électrique doit être adéquate et conforme à tous les codes et ordonnances locaux. Une mise à la terre est requise; reportez-vous à la section Configuration électrique figurant page 30.
- Le cuit vapeur doit être équipé d'un système de vidange. L'accès au tuyau d'écoulement doit se faire par l'élément de cuisine inférieur. Reportez-vous à la section Raccord de vidange page 28.
- Si le cuit vapeur doit être utilisé avec une quelconque combinaison de plaques de cuisson ou de modules supplémentaires, reportez-vous à la section Installation de plaques de cuisson multiples figurant page 28.

**REMARQUE IMPORTANTE :** Une hotte de ventilation est recommandée (mais pas obligatoire) avec le cuit vapeur électrique Wolf.



Modèle ICBIS15/S

Numéro de modèle  
ICBIS15/S

Numéro de série

**⚠ AVERTISSEMENT**

**Ce domino de cuisson est réservé à un usage intérieur.**

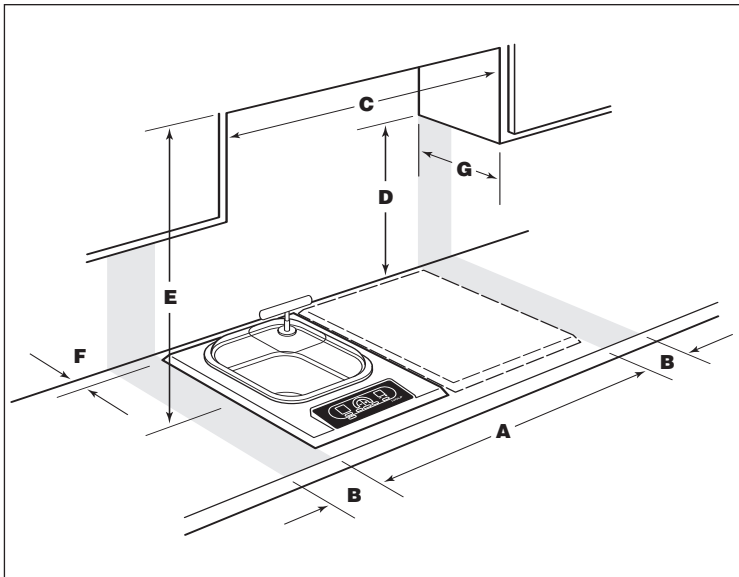


PREPARATION DE  
L'EMPLACEMENT

**REMARQUE IMPORTANTE** : L'installation du cuit vapeur Wolf doit satisfaire aux exigences suivantes en matière d'emplacement. Toutes les dimensions indiquées représentent les exigences minimales pour assurer une utilisation en toute sécurité. Reportez-vous à l'illustration ci-après.

**⚠ AVERTISSEMENT**

Afin d'éliminer tout risque de brûlure ou d'incendie, nous déconseillons l'installation de placards de rangement au dessus du cuit vapeur. Si un espace de rangement au-dessus du cuiseur vapeur est incontournable, nous vous conseillons d'installer une hotte de ventilation à une distance minimum de 127 mm au-dessus des éléments inférieurs.



Précautions d'installation

EMPLACEMENT DANS LE PLAN  
DE TRAVAIL

- A)** Surface plane minimum de plan de travail. Doit être de dimension égale ou supérieure à la largeur de(s) module(s).
- B)** Dégagement minimum de 152 mm de large entre le bord du module et tout autre surface de cuisson à combustible et jusqu'à 457 mm au-dessus du plan (zone en gris).

DIMENSIONS DES ELEMENTS DE  
CUISINE SUPERIEURS

- C)** L'espacement minimum entre les éléments latéraux supérieurs doit être supérieur ou égal à la largeur nominale de(s) module(s).
- D)** Distance verticale minimum de 457 mm du plan de travail à la base des éléments latéraux, dans le dégagement latéral minimum.
- E)** La distance verticale minimum entre le plan de travail et les matériaux combustibles au-dessus du module doit être de 762 mm.
- F)** Minimum de 25 mm du mur arrière.
- G)** Profondeur maximum de 330 mm des éléments latéraux supérieurs directement au-dessus, dans le dégagement latéral.

**⚠ AVERTISSEMENT**

Le non-respect des exigences d'espace lors de la mise en place de la surface de cuisson entraîne des risques d'incendie.



SPECIFICATIONS D'INSTALLATION

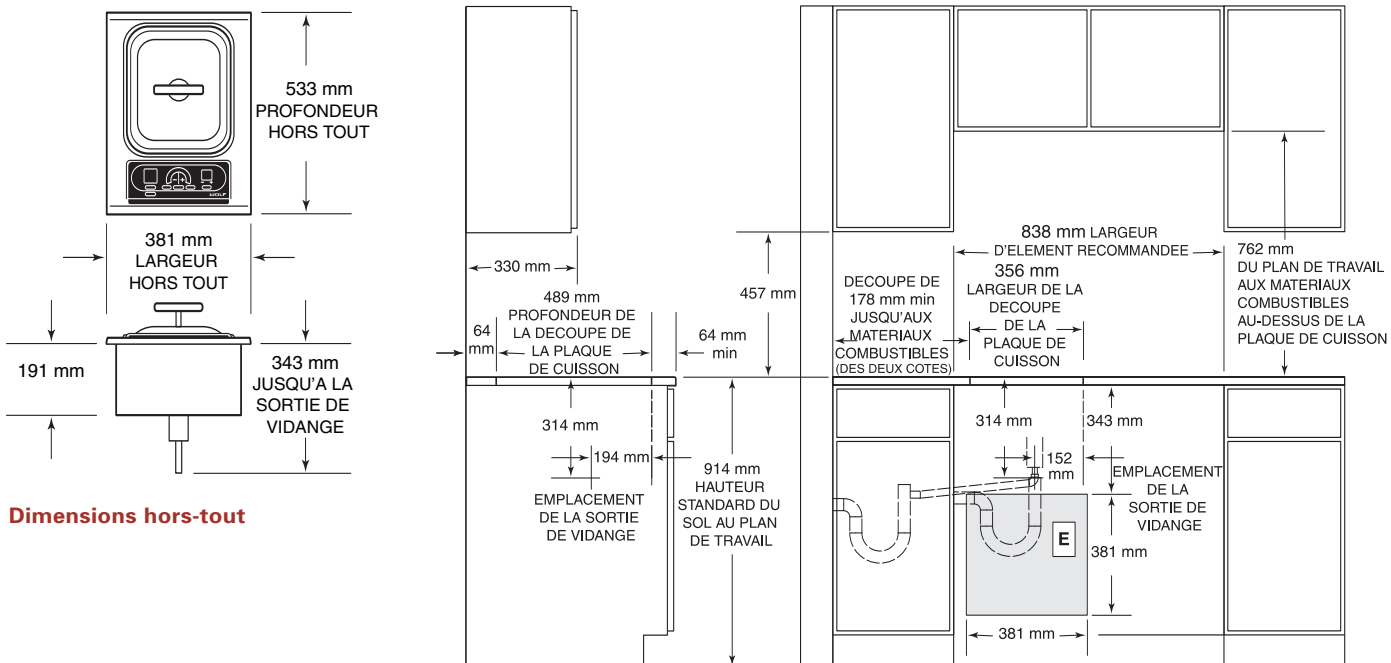
Les illustrations ci-après indiquent les dimensions hors-tout, les dimensions finies des découpes et l'emplacement de l'alimentation électrique du cuit vapeur Wolf.

Le cuit vapeur est conçu pour s'adapter à un élément de cuisine inférieur de profondeur standard de 610 mm dans un plan de travail de 635 mm de profondeur. Avant d'effectuer la découpe dans le plan de travail, assurez-vous que le module ne touchera pas les côtés de l'élément inférieur se trouvant au-dessous.

DIMENSIONS DU MODELE ICBISI 5/S

Largeur hors tout	381 mm
Hauteur hors tout	343 mm
Profondeur hors tout	533 mm
Profondeur minimum de l'élément de cuisine	578 mm
Dégagement minimum en hauteur	343 mm
Largeur de la découpe	356 mm
Profondeur de la découpe	489 mm

Les dimensions de l'appareil peuvent varier de  $\pm 3$  mm.

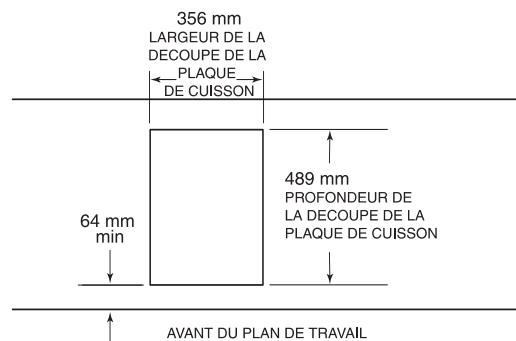


Dimensions hors-tout

REMARQUE : L'application illustrée permet l'installation de deux modules côte à côte de 381 mm avec une largeur recommandée d'élément de cuisine de 838 mm. La largeur recommandée d'élément de cuisine est de 457 mm pour l'installation d'une seule plaque de cuisson ou d'un seul module de 381 mm. \* Dégagement minimum des deux bords latéraux de la découpe de la plaque de cuisson aux matériaux combustibles jusqu'à 457 mm au-dessus du plan de travail. \* Dégagement minimum du bord arrière de la découpe de la plaque de cuisson aux matériaux combustibles jusqu'à 457 mm au-dessus du plan de travail.

Spécifications d'installation

Dimensions de la découpe dans le plan de travail





SPECIFICATIONS **D'INSTALLATION**

**RACCORD DE VIDANGE**

**REMARQUE IMPORTANTE :** Le cuit vapeur doit être équipé d'un système de vidange. L'accès au tuyau d'écoulement doit se faire par l'élément de cuisine inférieur.

Pour le raccord de vidange, l'orifice de sortie de 16 mm du robinet peut recevoir un conduit de vidange relié à l'écoulement de l'évier existant ou un tube d'écoulement autonome à chute libre. En se conformant aux codes du bâtiment locaux en vigueur, votre plombier décidera comment raccorder au mieux l'appareil. Le client dispose d'une troisième option, soit prévoir un seau résistant à la chaleur à l'endroit de la sortie de vidange. Pour repérer l'emplacement de la sortie de vidange, reportez-vous à l'illustration page 27.

**⚠ AVERTISSEMENT**

**En l'absence de raccord de vidange fixe, utilisez un récipient résistant à la chaleur d'une capacité minimum de 7.6 L. Les portes de l'élément de cuisine inférieur doivent être fermées à clé.**

**INSTALLATION DE PLAQUES DE CUISSON MULTIPLES**

**REMARQUE IMPORTANTE :** Si le cuit vapeur doit être utilisé avec une combinaison de plaques de cuisson ou de modules supplémentaires et une bande de remplissage (filler), la largeur de la découpe est obtenue en ajoutant les dimensions des découpes des unités correspondantes plus 32 mm pour chaque unité additionnelle.

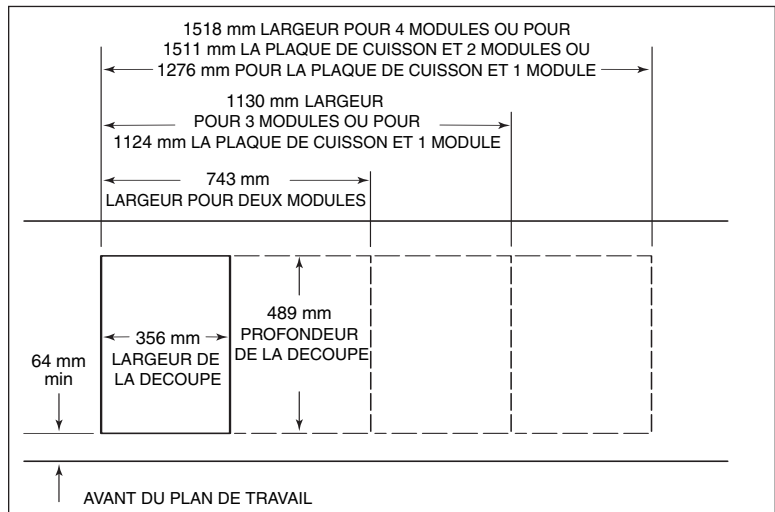
Si les unités multiples sont installées côte-à-côte, chaque unité doit avoir son propre circuit électrique recommandé.

Si deux modules ou plus sont installés ensemble, l'utilisation d'une bande de remplissage intégrée (IFILLER/S) est recommandée. Pour de plus amples renseignements ou pour obtenir des accessoires, adressez-vous à votre revendeur Wolf.

**REMARQUE IMPORTANTE :** Consultez les instructions d'installation spécifiques à chaque produit afin de déterminer leur compatibilité.

**⚠ AVERTISSEMENT**

**Ce cuit vapeur doit être installé à une distance minimum de 381 mm d'une friteuse Wolf car le contact de l'eau du cuit vapeur et l'huile très chaude de la friteuse pourrait entraîner des brûlures.**



**Dimensions de la découpe dans le plan de travail pour l'installation de plaques de cuisson multiples**



## OPTIONS DE VENTILATION

**REMARQUE IMPORTANTE** : Nous vous recommandons d'utiliser le cuit vapeur électrique Wolf avec une plaque de cuisson Wolf ainsi qu'avec une hotte murale Pro ou intégrée Wolf. Pour de plus amples renseignements, adressez-vous à votre dépositaire Wolf.

- **Hotte murale de plaque de cuisson** – 762 mm ou 914 mm de large en acier inoxydable Classique.
- **Hotte-îlot de plaque de cuisson** – 1067 mm de large en acier inoxydable Classique.
- **Hotte murale Pro** – 559 mm, 610 mm ou 686 mm de profondeur et 762 mm à 1676 mm de large en acier inoxydable Classique.
- **Hotte-îlot Pro** – 914 mm à 1676 mm de large en acier inoxydable Classique.
- **Hotte intégrée Pro** – disponible dans des largeurs pouvant s'adapter à des hottes de 914 mm à 1524 mm.

Toutes les hottes sont munies de joints soudés, d'un éclairage halogène scellé et amovible et de filtres lavables en machine.

**REMARQUE IMPORTANTE** : Wolf ne recommande pas l'utilisation d'une ventilation escamotable avec le cuit vapeur.

**REMARQUE IMPORTANTE** : Lors de l'installation d'une hotte de ventilation, reportez-vous aux exigences spécifiques de la hotte pour obtenir la distance minimum jusqu'au plan de travail.

## ACCESSOIRES

**Des accessoires sont proposés en option chez votre revendeur Wolf.**

CONFIGURATION **ELECTRIQUE**

**⚠ AVERTISSEMENT**

**Raccordez le cordon électrique à l'appareil avant de le brancher dans le mur.**

- **Alimentation électrique requise**  
220 – 240 volts c.a., 50 Hz, intensité de 15 ampères.
- **Charge maximum connectée**  
2,6 kW

Le cuiseur vapeur Wolf exige une alimentation électrique distincte et mise à la terre à trois fils de 220-240 v o l t s c.a., 50/60 Hz et d'une intensité de 15 ampères, dotée de son propre disjoncteur ou fusible. Un cordon électrique de calibre approprié doit être branché à la boîte d'alimentation du cuiseur vapeur tel qu'illustré ci-après. Ouvrez la boîte d'alimentation de façon à faire apparaître les vis avec les numéros correspondants. Desserrez les vis 1, 5 et les vis de borne de terre. Insérez le cordon dans la boîte d'alimentation en l'introduisant par l'orifice circulaire. Raccordez le fil neutre à l'emplacement 1. La ligne devrait être raccordée à l'emplacement 5 et le fil de mise à la terre à la vis de borne de terre correspondante. Après avoir serré les vis, fermez le couvercle de la boîte d'alimentation en veillant à ne pincer aucun fil.

Conformez-vous aux ordonnances et aux codes locaux lorsque vous installez votre alimentation électrique.

**REMARQUE IMPORTANTE :** La tension, la fréquence et l'ampérage appropriés doivent être fournis à cet appareil par un circuit spécial mis à la terre et protégé par un disjoncteur ou un fusible à fusion temporisée adapté à l'intensité de courant voulue. La tension, la fréquence et l'ampérage requis sont indiqués sur la plaque des caractéristiques du produit située sur le dessous du module. Reportez-vous à l'illustration figurant page 25.

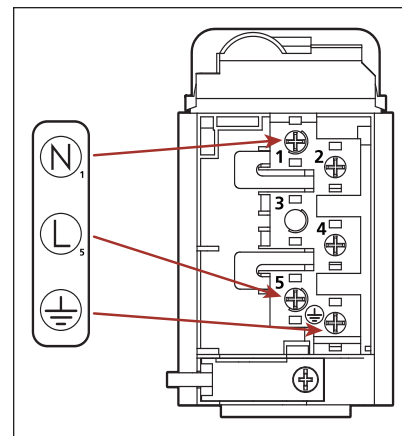
Le schéma de câblage couvrant le circuit de commande est situé dans la boîte de commande du module.

**⚠ AVERTISSEMENT**

**L'appareil au complet doit être correctement mis à la terre en tout temps lorsqu'il est sous tension.**

**Un raccordement inadéquat peut provoquer un incendie !**

**REMARQUE IMPORTANTE :** Pour éviter un choc électrique lors du débranchement du cuit vapeur, tous les pôles/fils doivent être débranchés de la boîte d'alimentation.



**Boîte d'alimentation**



## INSTALLATION DU MODULE

Afin d'empêcher la pollution de s'infiltrer dans la zone des commandes et du transformateur, fixez une bande de mousse sur le dessous du cadre du module. Reportez-vous à l'illustration ci-après.

Abaissez avec précaution le cuit vapeur dans la zone découpée du plan de travail et centrez-le. Assurez-vous que le bord avant du module est parallèle au bord avant du plan de travail. Vérifiez si toutes les exigences en matière de dégagement sont satisfaites.

Pour fixer les supports sur les côtés du module, insérez l'attache dans l'orifice rectangulaire du bac et poussez. Introduisez la vis de blocage dans le support et serrez jusqu'à ce qu'elle contacte le dessous du plan de travail. Ne serrez pas trop les vis. Reportez-vous à l'illustration ci-après.

**REMARQUE IMPORTANTE :** N'utilisez pas de matériau d'étanchéité ou de silicone pour sceller le module au plan de travail. L'appareil doit pouvoir être retiré en tout temps aux fins d'entretien.

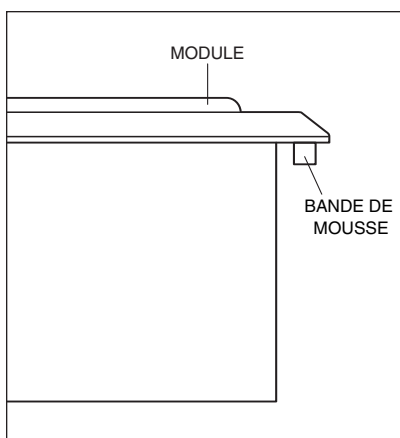
## AVANT L'UTILISATION

Lisez le Guide d'utilisation et d'entretien du cuit vapeur Wolf dans son intégralité. Il fournit des renseignements importants sur la sécurité et l'entretien.

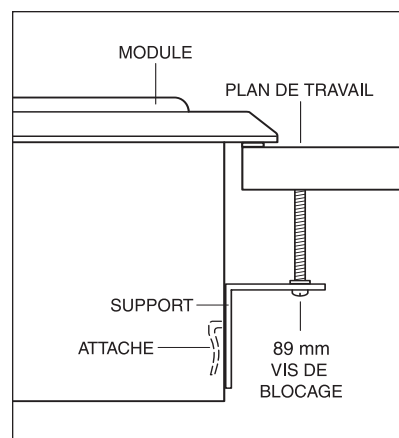
Avant d'utiliser le cuit vapeur, nettoyez la cuve et les récipients avec du savon doux et de l'eau.

### ⚠ MISE EN GARDE

**Ne faites jamais fonctionner le cuit vapeur sans eau, au risque de l'endommager. Avant de mettre le cuit vapeur en marche, vous devez ajouter de l'eau ou du liquide dans la cuve. N'utilisez jamais d'huile, au risque de l'endommager.**



**Bande de mousse**



**Supports d'installation**



## RETRAIT DU MODULE

**REMARQUE IMPORTANTE** : Le retrait du cuit vapeur doit être effectué par un technicien agréé de l'antenne de service Wolf.

S'il doit être retiré pour être nettoyé ou dépanné, coupez tout d'abord l'alimentation électrique. Enlevez les supports de fixation se trouvant de chaque côté du module et retirez celui-ci. Pour le réinstaller, reportez-vous à la page 31.

### **▲ AVERTISSEMENT**

**L'alimentation électrique du module doit être coupée avant le retrait et le dépannage du module.**

## DEPISTAGE DES PANNES

**REMARQUE IMPORTANTE** : Si le cuit vapeur ne fonctionne pas correctement, suivez les étapes de dépiستage des pannes suivantes :

- Vérifiez si l'alimentation électrique est fournie au module.
- Vérifiez les raccordements électriques afin de vous assurer que l'installation a été effectuée correctement.
- Suivez les procédures de dépiستage des pannes décrites dans le Guide d'utilisation et d'entretien du cuit vapeur Wolf.
- Si le module ne fonctionne toujours pas, contactez votre revendeur ou votre distributeur régional Wolf. N'essayez pas de réparer vous-même le module de cuisson.



## SERVICE APRES-VENTE

- Pour obtenir les coordonnées de votre service après-vente local, adressez-vous à votre revendeur Wolf ou consultez la page "Locator" de notre site Web, **wolfappliance.com** pour trouver les coordonnées des distributeurs régionaux par pays.
- Lorsque vous contactez le service après-vente, assurez-vous de disposer des numéros de modèle et de série du cuit vapeur. Ces deux numéros figurent sur la plaque des caractéristiques du produit située sur le dessous du module. Reportez-vous à l'illustration figurant à la page 25.

**REMARQUE IMPORTANTE** : L'installation et l'entretien doivent être exécutés par un poseur qualifié ou par une antenne technique Wolf.

## INFORMATION DE CONTACT

**Site Internet :**  
**wolfappliance.com**

Les informations et les images contenues dans ce guide sont protégées par des droits d'auteur et sont la propriété de Wolf Appliance Company, Inc., une filiale de Sub-Zero Freezer Company, Inc.. Ce guide et les informations et images qu'il contient ne peuvent être copiés ou utilisés, en partie ou en totalité, sans l'autorisation écrite expresse de Wolf Appliance Company, Inc., filiale de Sub-Zero Freezer Company, Inc.

© Wolf Appliance Company, Inc. Tous droits réservés.





**WOLF**<sup>®</sup>

INFORMAZIONI  
PER I CONTATTI

**Sito Web:**  
[wolfappliance.com](http://wolfappliance.com)

Man mano che seguite queste istruzioni, noterete dei simboli di **AVVERTENZA** ed **ATTENZIONE**. Queste informazioni evidenziate sono importanti per l'installazione sicura ed efficiente dell'apparecchiatura Wolf. Durante l'installazione sarete esposti a due potenziali pericoli.

#### **⚠ ATTENZIONE**

Segnala una situazione con possibili lesioni minori o danni al prodotto qualora non ci si attenga a queste istruzioni.

#### **⚠ AVVERTENZA**

Indica un pericolo che potrebbe causare gravi lesioni o morte, qualora non ci si attenga alle precauzioni.

Un'altra nota in calce che vorremmo identificare è **NOTA IMPORTANTE**: evidenzia informazioni di particolare importanza per un'installazione senza problemi.



REQUISITI PER **L'INSTALLAZIONE**

**NOTA IMPORTANTE:** conservare queste istruzioni per l'installatore.

- Leggere tutte le istruzioni prima dell'installazione.
- Questa installazione deve essere completata da un tecnico qualificato.
- **Installatore:** conservare queste istruzioni come riferimento, quindi lasciarle al proprietario dell'abitazione.
- **Proprietario dell'abitazione:** leggere e conservare queste istruzioni come riferimento futuro e verificare di aver letto tutte le informazioni per l'utilizzo e la manutenzione prima dell'uso.

**NOTA IMPORTANTE:** questo elettrodomestico deve essere installato in conformità ai codici locali. All'elettrodomestico devono essere forniti i valori corretti di tensione, frequenza e amperaggio da un circuito dedicato collegato a terra, protetto da un interruttore di circuito di dimensioni appropriate o da un fusibile ritardato. I valori corretti di tensione, frequenza e amperaggio sono elencati sull'etichetta identificativa del prodotto.

Registrare il modello e i numeri di matricola prima di installare il modulo per la cottura a vapore. Entrambi i numeri sono elencati sull'etichetta identificativa del prodotto, che si trova sul lato inferiore del piano. Vedere l'illustrazione che segue.



**Posizione della piastra dei valori nominali**

**PRIMA DI INIZIARE**

**NOTA IMPORTANTE:** l'installazione e la manutenzione devono essere eseguite da un installatore o centro di assistenza qualificati.

- L'installazione del modulo per la cottura a vapore deve soddisfare i requisiti minimi di spazio libero per un utilizzo sicuro. Fare riferimento a Preparazione del sito a pagina 36.
- L'installazione elettrica deve essere adeguata e conforme a tutti i codici e ordinanze locali. Il collegamento elettrico alla massa è necessario, fare pertanto riferimento a Requisiti elettrici a pagina 40.
- Il modulo per la cottura a vapore va installato con una connessione di spurgo ed accesso al punto di spurgo tramite il mobile alla base. Consultare la connessione di spurgo a pagina 38.
- Se il modulo per la cottura a vapore deve essere utilizzato con qualsiasi combinazione di unità o piani di cottura aggiuntivi, consultare la sezione Installazione di più piani di cottura a pagina 38.

**NOTA IMPORTANTE:** per l'utilizzo del modulo elettrico Wolf per la cottura a vapore, si consiglia una cappa di ventilazione (non obbligatoria).

**⚠ AVVERTENZA**

**Questo piano è previsto per l'utilizzo al chiuso.**



**Modello IC BIS 15/S**

**Numero del modello**  
**IC BIS 15/S**

**Numero di matricola**

PREPARAZIONE DEL SITO

**NOTA IMPORTANTE:** l'installazione del modulo elettrico Wolf per la cottura a vapore deve soddisfare i seguenti requisiti per la scelta dell'ubicazione. Tutte le dimensioni elencate sono requisiti minimi per il funzionamento sicuro. Vedere l'illustrazione che segue.

**⚠ AVVERTENZA**

**Per eliminare il rischio di ustioni o di incendi in prossimità delle superfici riscaldate, evitare di predisporre dei pensili sopra il piano di cottura. Se è necessario comunque predisporre un pensile, il rischio può essere ridotto installando una cappa di ventilazione che sporga orizzontalmente di almeno 127 mm oltre la base dei pensili.**

POSIZIONE SUL PIANO DI LAVORO

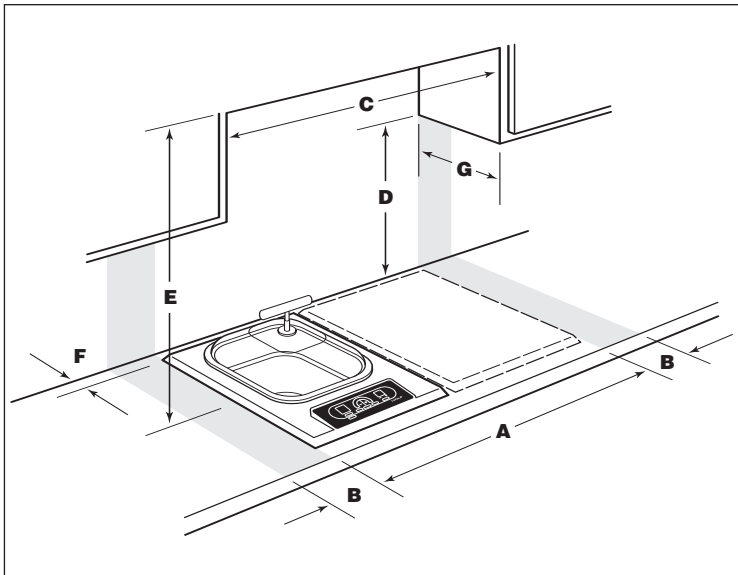
- A)** Superficie minima del piano di lavoro. Deve essere maggiore o uguale alla larghezza dei piani.
- B)** Spazio libero minimo di 152 mm dal bordo laterale del piano a qualsiasi superficie combustibile fino a 457 mm sopra del piano di lavoro (evidenziato dall'area ombreggiata).

DIMENSIONI DEL PENSILE

- C)** Lo spazio minimo tra i pensili laterali superiori deve essere maggiore o uguale alla larghezza nominale dei moduli.
- D)** Distanza verticale minima di 457 mm dal piano di lavoro al fondo dei mobili laterali entro lo spazio libero laterale minimo.
- E)** La distanza verticale minima tra il piano di lavoro e i materiali combustibili al di sopra del piano di cottura deve essere di 762 mm.
- F)** Almeno 25 mm dalla parete posteriore.
- G)** Profondità massima di 330 mm dei pensili e dei mobili laterali direttamente sopra ed entro lo spazio libero laterale.

**⚠ AVVERTENZA**

**La collocazione del piano di cottura senza i corretti spazi liberi comporta un pericolo di incendio.**



Spazi liberi minimi per l'installazione



## SPECIFICHE PER L'INSTALLAZIONE

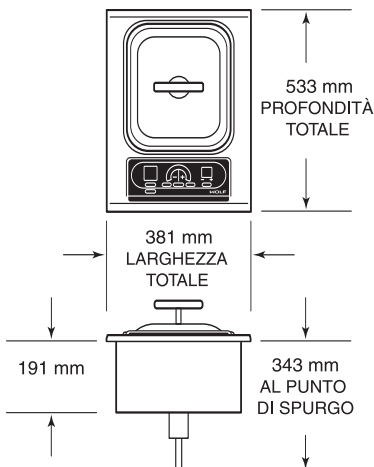
Le illustrazioni che seguono forniscono le dimensioni complessive, le dimensioni del vano incasso e il posizionamento della presa di corrente per il modulo elettrico Wolf per il piano di cottura elettrico.

Il modulo per la cottura a vapore è concepito per essere installato in un pensile profondo 610 mm con piano di lavoro profondo 635 mm. Prima di realizzare il vano incasso sul piano di lavoro, verificare che il piano lasci libere le pareti laterali del mobile di base sotto.

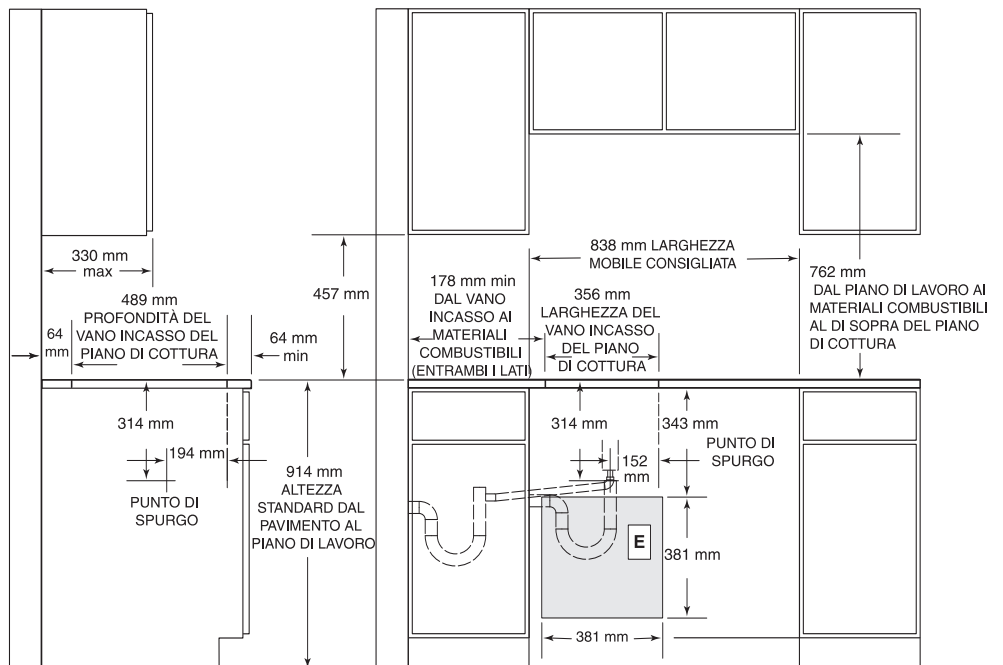
## DIMENSIONI MODELLO ICBIS15/S

Larghezza totale	381 mm
Altezza generale	343 mm
Profondità totale	533 mm
Profondità minima del mobile	578 mm
Spazio libero minimo in altezza	343 mm
Larghezza del vano incasso	356 mm
Profondità del vano incasso	489 mm

*Le dimensioni delle unità potrebbero variare di  $\pm 3$  mm.*



**Dimensioni d'ingombro**



NOTA l'applicazione mostrata consente l'installazione di due piani da 381 mm affiancati con larghezza consigliata del mobile di 838 mm. 457 mm consigliati per la larghezza del mobile per l'installazione di un ripiano o modulo di cottura singolo da 381 mm. \*Spazio libero minimo da entrambi i bordi laterali del vano incasso del piano di cottura ai materiali combustibili fino a 457 mm al di sopra del piano di lavoro. \*\*Spazio libero minimo dal bordo posteriore vano incasso del piano di cottura ai materiali combustibili fino a 457 mm al di sopra del piano di lavoro.

**Specifiche dell'installazione**

**Dimensioni del vano incasso sul piano di lavoro**



SPECIFICHE PER  
L'INSTALLAZIONE

CONNESSIONE DI SPURGO

**NOTA IMPORTANTE:** il modulo per la cottura a vapore va installato con una connessione di spurgo ed accesso al punto di spurgo tramite il mobile alla base.

Per la connessione di spurgo, la presa da 16 mm dalla valvola accetta un flessibile di spurgo che fluisce in basso e si collega allo spurgo di un lavandino esistente, oppure potrebbe essere necessario installare uno spurgo separato con una parete libera. Secondo i codici edili locali, l'idraulico deciderà come sistemare l'unità. Come terza opzione, il consumatore fornisce un secchio resistente ad alte temperature per lo spurgo nel punto desiderato. Consultare l'illustrazione a pagina 37 per la posizione del punto di spurgo.

**AVVERTENZA**

Qualora non vi sia una connessione di spurgo fissa, usare un contenitore resistente al calore con una capacità minima di 7,6 L. Bloccare gli sportelli del pensile di base.

INSTALLAZIONE CON PIÙ PIANI  
DI COTTURA

**NOTA IMPORTANTE:** se il modulo per la cottura a vapore deve essere utilizzato con una combinazione di altri piani o piani di cottura utilizzando il kit di separazione, la larghezza del vano incasso è calcolata aggiungendo le dimensioni corrispondenti del vano incasso dell'unità più 32 mm per ciascuna unità aggiuntiva.

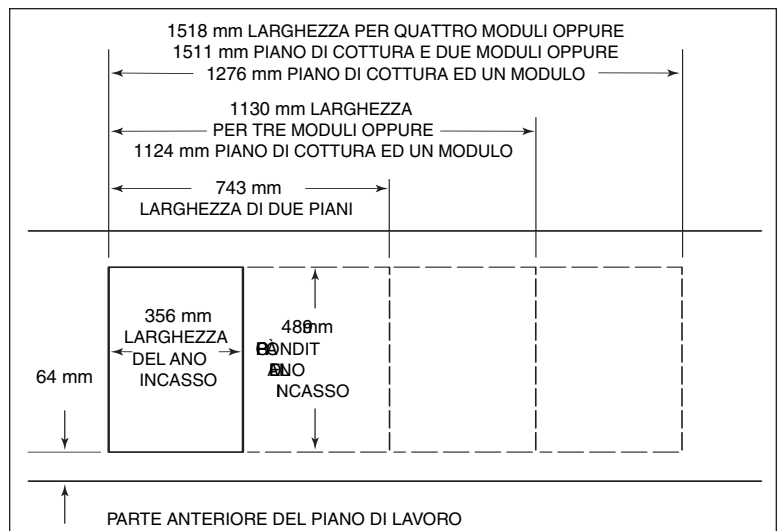
Quando più unità sono installate affiancate, ciascuna unità deve avere il proprio circuito elettrico dedicato separato.

Quando due o più moduli sono installati insieme, si consiglia l'utilizzo del kit di inserzione del piano (IFILLER/S). Per ulteriori informazioni sugli accessori, rivolgersi al proprio rivenditore Wolf.

**NOTA IMPORTANTE:** rivedere le specifiche istruzioni di installazione per le capacità da prodotto a prodotto.

**AVVERTENZA**

Il modulo per la cottura a vapore va installato ad almeno 381 mm dalla friggitrice Wolf, poiché il contatto tra acqua ed olio bollente potrebbe causare ustioni dal vapore e dall'olio.



Dimensioni del vano incasso del piano di lavoro per l'installazione di più piani di cottura

OPZIONI DI **VENTILAZIONE**

**NOTA IMPORTANTE:** si consiglia di utilizzare il modulo Wolf per la cottura a vapore con un piano di cottura Wolf o una cappa di ventilazione Wolf serie Pro o un rivestimento per cappa. Rivolgersi al rivenditore Wolf per dettagli.

- **Cappa a parete per piano di cottura –** Larghezze di 762 mm o 914 mm in classico acciaio inox.
- **Cappa per isola di cottura –** Larghezza di 1067 mm in classico acciaio inox.
- **Cappa a parete Pro –** Profondità di 559 mm, 610 mm o 686 mm e larghezze di 762 mm a 1676 mm in classico acciaio inox.
- **Cappa per isola Pro –** Larghezza di 914 mm a 1676 mm in classico acciaio inox.
- **Rivestimento per cappa Pro –** Disponibile in varie larghezze per ospitare cappe da 914 mm a 1524 mm.

Tutte le cappe hanno giunzioni saldate, illuminazione alogena sigillata e filtri rimovibili, lavabili in lavastoviglie.

**NOTA IMPORTANTE:** Wolf non consiglia l'utilizzo delle cappe downdraft con un piano per la cottura a vapore.

**NOTA IMPORTANTE:** quando si installa una cappa di ventilazione, fare riferimento ai requisiti specifici della cappa per le dimensioni minima al piano di lavoro.

## ACCESSORI

**Gli accessori opzionali sono disponibili attraverso il rivenditore Wolf.**



REQUISITI **ELETTRICI**

**⚠ AVVERTENZA**

**Collegare il cavo di alimentazione all'unità prima di inserire il cavo nella parete.**

- **Alimentazione elettrica richiesta**  
220 –240 V c.a., 50 Hz, servizio da 15 amp
- **Carico massimo connesso**  
2,6 kW

Il modulo Wolf per la cottura a vapore richiede un servizio separato da 15 amp, a 3 fili con messa a terra, 220–240 V c.a., 50/60 Hz, 15, con il proprio interruttore automatico o fusibile. Un cavo dal valore nominale adeguato va collegato alla scatola di alimentazione elettrica del modulo per la cottura a vapore come mostrato nell'illustrazione seguente. Aprire la scatola di alimentazione per esporre le viti con i numeri corrispondenti. Allentare le viti 1, 5 e di massa. Far passare il cavo attraverso il foro circolare e nella scatola di alimentazione elettrica. Collegare il filo neutro alla posizione numero 1. Collegare il filo di linea alla posizione 5 e collegare il filo di messa a terra alla vite di messa a terra corrispondente. Dopo aver serrato le viti, chiudere il coperchio della scatola di alimentazione elettrica senza schiacciare i fili.

Nell'installazione del servizio è necessario rispettare tutti i codici e le ordinanze locali.

**NOTA IMPORTANTE:** all'elettrodomestico devono essere forniti i valori corretti di tensione, frequenza e amperaggio da un circuito dedicato collegato a terra, protetto da un interruttore di circuito di dimensioni appropriate o da un fusibile ritardato. I valori corretti di tensione, frequenza e amperaggio sono elencati sull'etichetta identificativa del prodotto, che si trova sul lato inferiore del piano. Fare riferimento all'illustrazione a pagina 35.

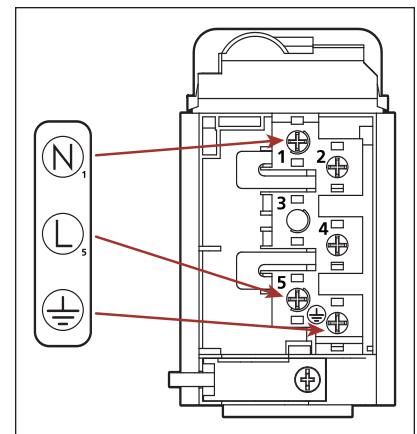
Lo schema elettrico del circuito di controllo si trova all'interno della scatola di controllo del modulo.

**⚠ AVVERTENZA**

**Tutto l'elettrodomestico deve essere sempre correttamente collegato a terra quando è applicata la corrente elettrica.**

**Una connessione impropria può comportare pericolo di incendio!**

**NOTA IMPORTANTE:** per evitare scosse elettriche quando si scollega il modulo per la cottura a vapore, tutti i poli/fili devono essere scollegati dalla scatola di alimentazione elettrica.



**Scatola di alimentazione elettrica**

**INSTALLAZIONE DEL PIANO**

Per evitare l'inquinamento dovuto all'ingresso di sporco nel controller e nel trasformatore, fissare la striscia di schiuma al lato inferiore del telaio del modulo. Vedere l'illustrazione che segue.

Abbassare delicatamente il modulo per la cottura a vapore nell'area del vano incasso del piano di lavoro e centrare. Controllare che il bordo anteriore del piano di cottura sia parallelo al bordo anteriore del piano di lavoro. Controllare che siano rispettati tutti gli spazi liberi richiesti.

Per collegare le staffe ai lati del piano, inserire il fermaglio nel foro rettangolare nella vasca di raccolta e spingere verso il basso. Installare la vite di blocco nella staffa e serrare fino a quando la vite non venga a contatto col lato inferiore del piano di lavoro. Non serrare eccessivamente le viti. Vedere l'illustrazione che segue.

**NOTA IMPORTANTE:** non utilizzare stucco né silicone per sigillare il piano di cottura al piano di lavoro. L'unità deve essere prontamente rimovibile per l'assistenza.

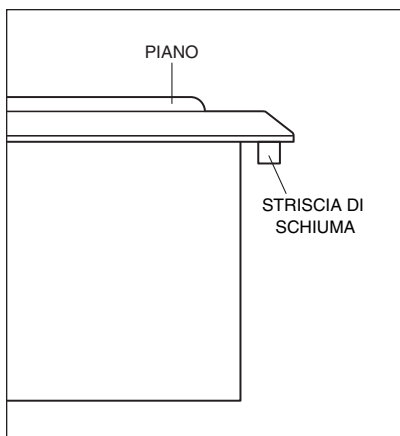
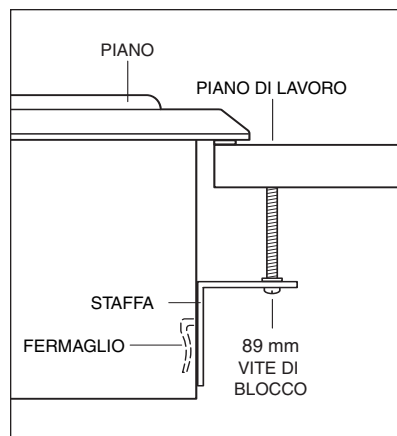
**PRIMA DELL'USO**

Leggere tutte le informazioni per l'uso e la manutenzione del modulo Wolf per la cottura a vapore, in dotazione al modulo stesso. Nel manuale sono contenute importanti informazioni relative alla sicurezza ed all'assistenza.

Prima dell'uso, pulire con cura la bacinella e le coppe inseribili in acciaio inossidabile del modulo per la cottura a vapore, utilizzando sapone neutro ed acqua.

**ATTENZIONE**

**Non azionare mai il modulo per la cottura a vapore senza acqua, onde evitare danni all'unità. Prima di accendere il modulo, aggiungere acqua o liquidi alla bacinella del modulo per la cottura a vapore. Non usare mai olio, onde evitare danni all'unità.**

**Striscia di schiuma****Staffe di installazione**





## **RIMOZIONE** DEL PIANO

**NOTA IMPORTANTE:** la rimozione del modulo per la cottura a vapore va eseguita solo da un tecnico di un centro assistenza Wolf.

Se la rimozione del modulo per la cottura a vapore è necessaria per la pulizia o l'assistenza, scollegare prima l'alimentazione elettrica. Rimuovere le staffe di montaggio su ciascun lato del piano. Per reinstallarle, vedere pagina 41.

### **▲ AVVERTENZA**

**Il piano deve essere scollegato dall'alimentazione prima della rimozione e dell'assistenza.**

## SOLUZIONE DEI **PROBLEMI**

**NOTA IMPORTANTE:** se il modulo per la cottura a vapore non funziona correttamente, seguire questi passaggi per la risoluzione dei problemi:

- Verificare che al piano sia fornita alimentazione.
- Controllare le connessioni elettriche per accertarsi che l'installazione sia stata completata correttamente.
- Seguire le procedure per la soluzione dei problemi come descritte nelle informazioni per l'uso e la manutenzione del modulo Wolf per la cottura a vapore.
- Se il modulo continua a non funzionare, rivolgersi al proprio rivenditore o distributore di zona Wolf. Non tentare di riparare da soli il piano di cottura.



SE È NECESSARIA **ASSISTENZA**

- Per l'assistenza in zona, rivolgersi al proprio rivenditore Wolf o visitare la pagina di ricerca del nostro sito Web, **wolfappliance.com**, per trovare i distributori di zona in base al Paese.
- Quando si chiama per assistenza, fare riferimento al numero di modello e serie del modulo per la cottura a vapore. Entrambi i numeri sono elencati sull'etichetta identificativa del prodotto, che si trova sul lato inferiore del piano. Fare riferimento all'illustrazione a pagina 35.

**NOTA IMPORTANTE:** l'installazione e la manutenzione vanno eseguite da un installatore o centro di assistenza qualificati.

INFORMAZIONI  
PER I CONTATTI

**Sito Web:**  
**wolfappliance.com**

Le informazioni e le immagini sono protette da copyright della Wolf Appliance Company, Inc., una consociata della Sub-Zero Freezer Company, Inc. Questo documento e le informazioni o immagini qui contenute non potranno essere copiate o usati, in parte o nella loro interezza, senza l'esplicito consenso scritto della Wolf Appliance Company, Inc., una consociata della Sub-Zero Freezer Company, Inc.

©Wolf Appliance Company, Inc. Tutti i diritti riservati.

WOLF APPLIANCE COMPANY, INC.

PO BOX 44848

MADISON, WI 53744 USA

WOLFAPPLIANCE.COM