

**WARMING DRAWER
INSTALLATION INSTRUCTIONS**

WOLF®

Contents

Wolf Warming Drawer	3
Installation Considerations	4
Warming Drawer Installation	5
Service Information	7

Features and specifications in this guide and on the website are subject to change at any time without notice. Check our website, wolfappliance.com, for the most up-to-date specifications.

Important Note

To ensure the safe and efficient use of Wolf equipment, please take note of the following types of highlighted information throughout this guide:

IMPORTANT NOTE highlights information that is especially important.

CAUTION signals a situation where minor injury or product damage may occur if instructions are not followed.

WARNING states a hazard that may cause serious injury or death if precautions are not followed.



WOLF® is a registered trademark of Wolf Appliance, Inc.

Warming Drawer Installation

IMPORTANT NOTE: This installation must be completed by a qualified installer.

Read this entire installation guide prior to installation and save for the local inspector's reference. The homeowner should keep this installation guide for future reference.

Any questions or problems regarding installation of the warming drawer should be directed to your Wolf dealer.

IMPORTANT NOTE: This appliance must be installed in accordance with all local codes. The correct voltage, frequency and amperage must be supplied to the appliance from a dedicated, grounded circuit which is protected by a properly sized circuit breaker or time delay fuse. The proper voltage, frequency, and amperage ratings are listed on the product rating plate.

Record the model and serial number before installing the warming drawer. Both numbers are listed on the product rating plate, located on the left front floor area of the inner cabinet. To access the rating plate, the drawer must be fully open. Refer to the illustration below.

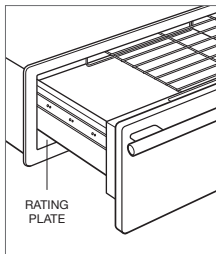
Wolf Warming Drawer	
Model Number	ICBWWD30
Serial Number	

Before You Start

- Proper installation is the responsibility of the installer.
- Model ICBWWD30 must be installed with a Wolf stainless steel or integrated drawer front. Make sure you have the accessory drawer front called for in your installation. Specific installation instructions are included with the drawer front.
- Make sure cabinetry meets the minimum dimension requirements for your specific installation.
- Check with local utilities for electrical codes that apply in your area. Local codes vary. Installation, electrical connections and grounding must comply with applicable codes.
- This appliance must be properly grounded. Refer to electrical requirements on page 8.
- Make sure you have the tools and materials necessary for proper installation.

TOOLS AND MATERIALS REQUIRED

- Minimum 19 mm thick lumber for the solid platform that supports the warming drawer—must be able to support 91 kg
- Wood screws and hardware to install the platform
- 51 mm x 51 mm or 51 mm x 102 mm lumber for anti-tip block
- Power saw
- Level
- Drill and 1,6 mm bit, 13 mm bit also for integrated drawer front application
- Phillips screwdriver
- 2 wood screws (provided)
- Wood cleats (optional)



Location of rating plate.

Installation Considerations

MODEL ICBWWD30

- Model ICBWWD30 must be installed with a Wolf stainless steel or integrated drawer front. Specific installation instructions are included with the drawer front.
- The warming drawer platform must be able to support 91 kg.
- The warming drawer platform must be a minimum of 25 mm above the toe kick to allow for the overlap of the warming drawer trim.
- For undercounter installations, 597 mm from the bottom of the warming drawer opening to the floor is typical.

COMBINATION INSTALLATIONS

- Model ICBWWD30 may be installed in combination with a Wolf built-in oven and/or microwave. Additional clearance between warming drawer and oven openings may be required. To allow the warming drawer trim and the oven trim to meet, a 22 mm platform may be used to separate the two openings. This will act as the support platform for the oven and the anti-tip device for the warming drawer. An anti-tip block may be installed at the rear of the cabinet in place of the platform. If the warming drawer is installed above an oven, a 22 mm platform is required to allow for clearance of overlaps.
- Model ICBWWD30 may be installed below a Wolf cooktop or sealed burner rangetop. Allow enough room for gas and electrical connections for the cooktop.
- Model ICBWWD30 may be installed next to or above another Wolf warming drawer.

IMPORTANT NOTE: For combination installations, refer to installation instructions provided with the other Wolf products for additional specifications.

ICBWWD30 Drawer Front Options

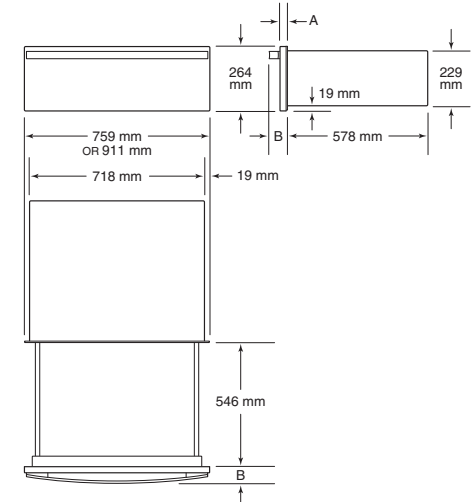
IMPORTANT NOTE: Model ICBWWD30 must be installed with a Wolf stainless steel or integrated drawer front.

An E Series or Pro drawer front with handle is recommended. These front panels are designed on the E Series front panel platform and are available with a tubular, curved or pro handle.

The Pro drawer fronts with pro handle are designed to be installed below a sealed burner rangetop so the panel aligns properly with the front of the rangetop.

For information on integrated door front, refer to page 8.

OVERALL DIMENSIONS

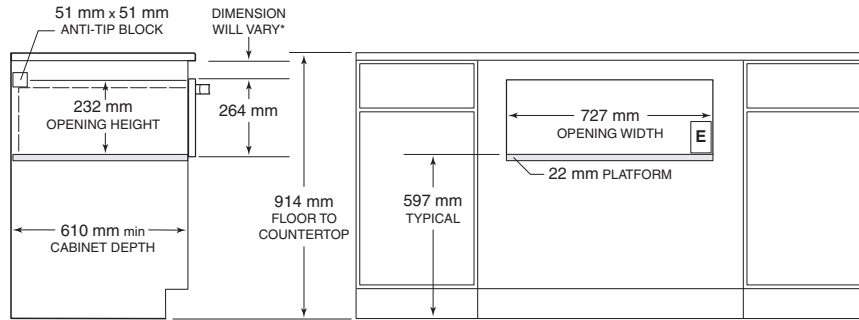


Drawer Front Panel and Handle			
L SERIES		A	B
Tubular Handle		22 mm	89 mm
E SERIES		A	B
Curved Handle		29 mm	70 mm
Tubular Handle		29 mm	89 mm
PRO SERIES		A	B
25 mm Thick / Pro Handle		29 mm	89 mm
51 mm Thick / Pro Handle		54 mm	114 mm

Dimensions may vary ± 3 mm.

ICBWWD30 with E or L Series Drawer Front

UNDERCOUNTER INSTALLATION



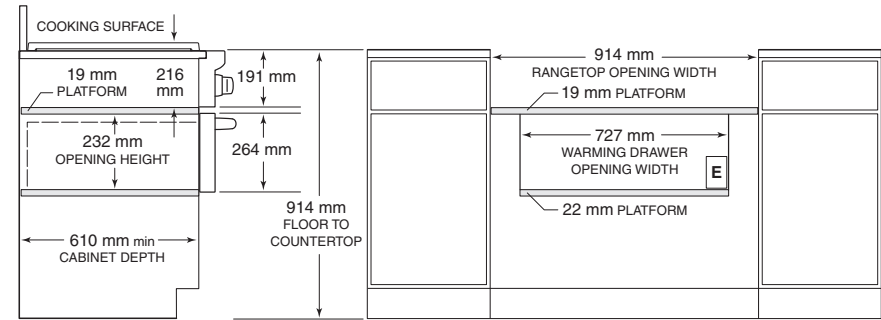
SIDE VIEW

FRONT VIEW

*Dimension must accommodate height of anti-tip block and drawer face overlap. Dashed line represents profile of unit.
 NOTE: Unless you are using cabinets deeper than 610 mm, it is recommended that the electrical supply be placed in an adjacent cabinet within reach of the conduit.

ICBWWD30 with Pro Drawer Front

INSTALLATION WITH SEALED BURNER RANGETOP



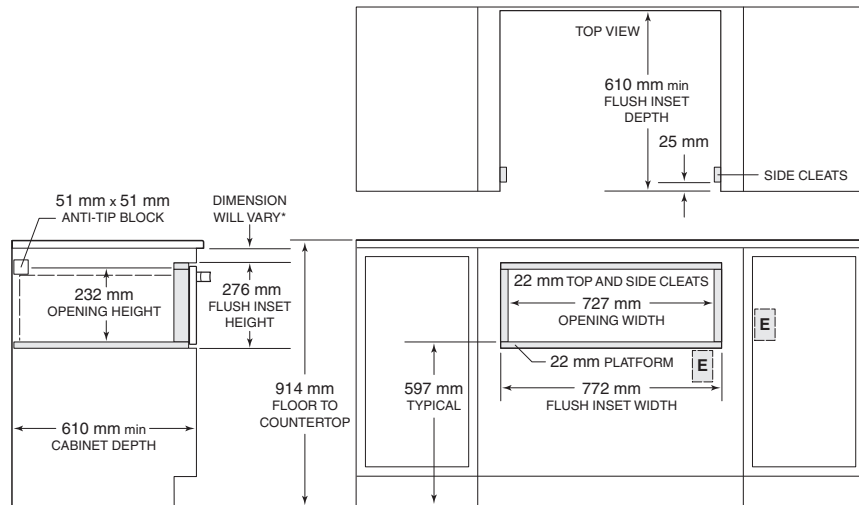
SIDE VIEW

FRONT VIEW

NOTE: Unless you are using cabinets deeper than 610 mm, it is recommended that the electrical supply for the warming drawer be placed in an adjacent cabinet within reach of the conduit. Dashed line represents profile of unit.

ICBWWD30 with E Series Drawer Front

UNDERCOUNTER FLUSH INSET INSTALLATION



SIDE VIEW

FRONT VIEW

*Dimension must accommodate height of anti-tip block and drawer face overlap. Dashed line represents profile of unit.
 NOTE: Unless you are using cabinets deeper than 610 mm, it is recommended that the electrical supply be placed in an adjacent cabinet within reach of the conduit.

Integrated Drawer Front

INSTALL RECESSED CLEATS AND PLATFORM

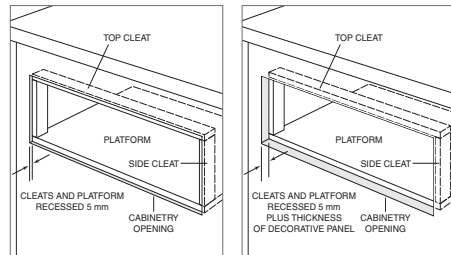
For an overlay or flush inset application, you will need to install a recessed platform and cleats into the opening. Refer to the chart for specifications. Proper recess of the platform and cleats is critical to the function and esthetics of the warming drawer installation.

The depth of the platform may increase with the cabinet depth. Be sure to rigidly mount the platform so that it can support a minimum of 91 kg. Refer to the illustrations below.

Mounting holes will need to be drilled in the back of the drawer front panel. Holes should be drilled on site to ensure proper fit and gaps are achieved. A drilling template is provided with the integrated drawer front.

IMPORTANT NOTE: Be sure to finish the inside lip of the opening and the front face of the platform and cleats. These areas may be visible when the drawer is open.

IMPORTANT NOTE: Be aware of the location of the mounting holes on the warming drawer frame to make sure screws used to attach the cleats do not interfere with screw holes for mounting the warming drawer.



Overlay application.

Flush inset application.

Integrated Drawer Front			
DRAWER FRONT			
	W	H	D
Overlay Panel (min)	746 mm	260 mm	19 mm
Flush Inset Panel	746 mm	254 mm	19 mm
CLEATS AND PLATFORM			
	W	H	D
Top Cleat	759 mm	16 mm	51 mm
Side Cleats	13 mm	232 mm	51 mm
Platform	759 mm	19 mm	603 mm
RECESS CLEATS AND PLATFORM			
Overlay			5 mm
Flush Inset	thickness of custom panel + 5 mm		

Electrical Requirements

The electrical supply should be located as shown in the illustration for your specific installation on the previous page. Follow local codes and ordinances when installing the receptacle. A separate circuit, servicing only this appliance is required.

If two warming drawers are installed side by side, they can operate from the same electrical outlet. A 30 amp circuit breaker is required for this installation.

IMPORTANT NOTE: When installed outdoors, a ground fault circuit interrupter (GFCI) is required to reduce the risk of electrical shock.

Electrical Requirements	
Power Supply	220-240 V AC, 50/60 Hz
Circuit Breaker	15 or 20 amp
Receptacle	3-prong grounding-type

IMPORTANT NOTE: Connection of this appliance should be through a fused connection unit or a suitable isolator, which complies with national and local safety regulations. The on/off switch should be easily accessible after the appliance has been installed. If the switch is not accessible after installation (depending on country) an additional means of disconnection must be provided for all poles of the power supply. When switched off there must be an all pole contact gap of 3 mm in the isolator switch. This 3 mm contact disconnect gap must apply to any isolator switch, fuses and/or relays according to EN60335.

Anti-Tip Block

INSTALL ANTI-TIP BLOCKING

Install a 51 mm x 51 mm or 51 mm x 102 mm anti-tip block against the rear cabinet wall. When the warming drawer is installed below a built-in oven, you may use a 22 mm thick platform to allow the warming drawer trim and the oven trim to meet. The platform will act as an anti-tip device for the warming drawer.

⚠ WARNING

An anti-tip block or platform must be installed to prevent the warming drawer from tipping forward while opened when loaded. Failure to do so could result in personal injury and damage to the cabinet.

Install the Warming Drawer

Unpack the warming drawer on a flat surface. Remove all packaging materials from inside the warming drawer. Do not discard the package containing the two wood screws needed for installation.

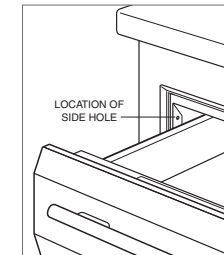
Turn power off to the electrical outlet.

Slide the left corner of the warming drawer into the opening. If the electrical outlet is installed inside the opening, plug the power cord into the outlet. The excess cord should be coiled behind or beside the unit. If the outlet is located in an adjacent cabinet, thread the power cord through the hole in the cabinet wall. Push the drawer back into the opening until the trim meets the cabinet front. Make sure the power cord does not get trapped under the warming drawer.

IMPORTANT NOTE: Do not lift up on the handle to push the drawer into place.

Open the warming drawer to its full extension. Drill pilot holes in each side hole, located toward the front on each side of the warming drawer. Install the wood screws provided with the unit. Refer to the illustration below.

Turn power back on to the electrical outlet.



Location of side hole.

Troubleshooting

IMPORTANT NOTE: If the warming drawer does not operate properly, follow these troubleshooting steps:

- Verify that power is being supplied to the warming drawer.
- Check electrical connections to ensure that the installation has been completed correctly.
- Refer to the troubleshooting guide in the Wolf warming drawer use & care guide.
- If the warming drawer still does not work, contact a Wolf dealer. Do not attempt to repair the warming drawer yourself. Wolf is not responsible for service required to correct a faulty installation.

Service Information

If service is necessary, maintain the quality built into your warming drawer by calling a Wolf dealer.

When calling for service, you will need the model and serial number of the warming drawer. Both numbers are listed on the product rating plate, located on the left front floor area of the inner cabinet. To access the rating plate, the drawer must be fully open. Refer to the illustration on page 5 for location of the rating plate.

816416 REV-A 4/2010



WOLF[®]